

NOTES:

1. DYNAMIC TORQUE AND PART NUMBERS SEE PAGE 2.
2. LIFE: 20,000 CYCLES.
ONE CYCLE = 90° OPEN/90° CLOSED.
FIVE(5) CYCLES PER MINUTE MAX.
3. MATERIAL:
CENTER BRACKET: ENGINEERED PLASTIC
OUTER BRACKET: ENGINEERED PLASTIC
SHAFT: HARDENED STEEL
TORQUE ELEMENT: HARDENED STEEL
BEARINGS: HARDENED STEEL
BEARING CAPS: DIE CAST ZINC
4. DESIGNED TO ACCEPT M6 OR 1/4" BUTTON HEAD SCREW OR EQUIVALENT.
- [5] BRACKET TO BE ORIENTED ±5° WITH RESPECT TO DATUM A AS SHOWN.
6. TOTAL TRAVEL 270°.
7. STATIC TORQUE IS NORMALLY WITHIN 10% OF DYNAMIC TORQUE.
- [8] DIRECTION DETERMINED WITH CENTER BRACKET FIXED AND OUTER BRACKET ROTATED AS SHOWN.
9. USER MUST DETERMINE FITNESS FOR USE IN APPLICATION.
- [10] HINGE SHIPPED WITH PLASTIC CLIP INSTALLED TO PREVENT ROTATION IN LOW TORQUE DIRECTION.

NAME: MH - 18 - X.X - X

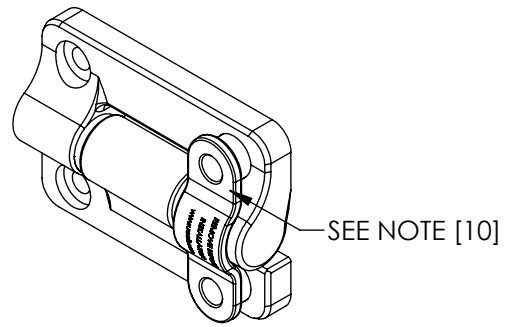
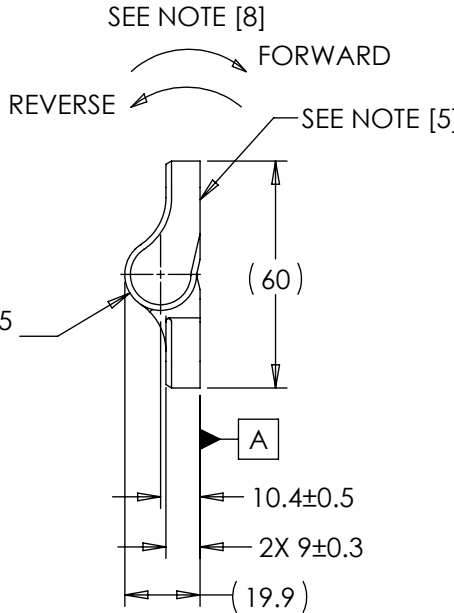
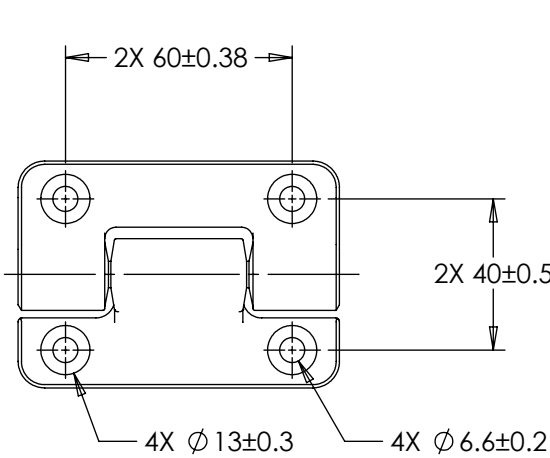
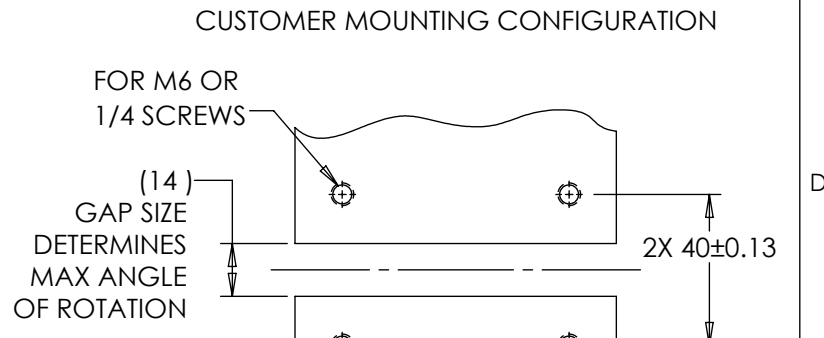
TORQUE Nm
4.0
6.0
8.0

TYPE
F - ONE WAY FORWARD
R - ONE WAY REVERSE

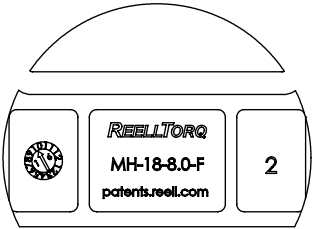
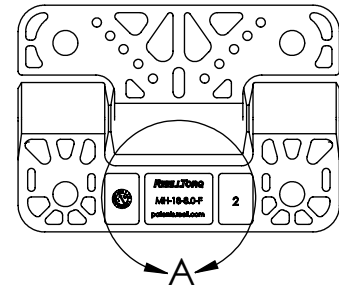
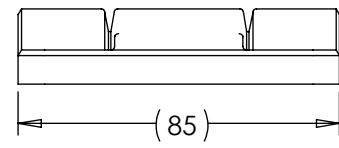
LEVEL	DESCRIPTION	DRAWN	DATE	APPROVED
DRAWN:	MPG	DATE:	11FEB16	REFERENCE: 18-XXX TITLE: MOLDED HINGE ASSEMBLY PART NO: MH18 SERIES REV: B
CHECKED:	MPG	DATE:	21JUN16	
APPROVED:	MPG	DATE:	21JUN16	
REVISED:	11APR17	DIMS:	mm	
INTERPRET PRINT PER ASME Y14.5M-1994 THIS PRINT IS THE CONFIDENTIAL PROPERTY OF REELL PRECISION MFG. THIRD ANGLE PROJECTION 		REELL PRECISION MANUFACTURING 1259 WILLOW LAKE BOULEVARD SAINT PAUL, MINNESOTA 55110-5103, USA		SCALE: 1:2 DO NOT SCALE DRAWING SHEET 1 OF 2

SPECIFICATION SUBJECT TO CHANGE

CATALOG NUMBER	TYPE	DYNAMIC TORQUE FORWARD DIRECTION		DYNAMIC TORQUE REVERSE DIRECTION	
		NOMINAL	TOLERANCE	NOMINAL	TOLERANCE
		Nm	+/- %	Nm	+/- %
MH-18-4.0-F	ONE WAY FORWARD	4.0	25	1.8	MAX
MH-18-4.0-R	ONE WAY REVERSE	1.8	MAX	4.0	25
MH-18-6.0-F	ONE WAY FORWARD	6.0	20	1.8	MAX
MH-18-6.0-R	ONE WAY REVERSE	1.8	MAX	6.0	20
MH-18-8.0-F	ONE WAY FORWARD	8.0	20	1.8	MAX
MH-18-8.0-R	ONE WAY REVERSE	1.8	MAX	8.0	20



NOTE: MOUNT OPEN HOLES WITH SNUG FIT BEFORE REMOVING THE PLASTIC CLIP.



DETAIL A
SCALE 1 : 1

INTERPRET PRINT PER ASME Y14.5M-1994
THIS PRINT IS THE CONFIDENTIAL PROPERTY OF REELL PRECISION MFG.
THIRD ANGLE PROJECTION

LEVEL	DESCRIPTION	DRAWN	DATE	APPROVED
DRAWN:	MPG	DATE:	11FEB16	REFERENCE: 18-XXX TITLE: MOLDED HINGE ASSEMBLY
CHECKED:	MPG	DATE:	21JUN16	
APPROVED:	MPG	DATE:	21JUN16	
REVISED:	11APR17	DIMS:	mm	
 REELL PRECISION MANUFACTURING 1259 WILLOW LAKE BOULEVARD SAINT PAUL, MINNESOTA 55110-5103, USA		PART NO:	MH18 SERIES	REV: B
		SCALE: 1:2	DO NOT SCALE DRAWING	SHEET 2 OF 2

SPECIFICATION SUBJECT TO CHANGE