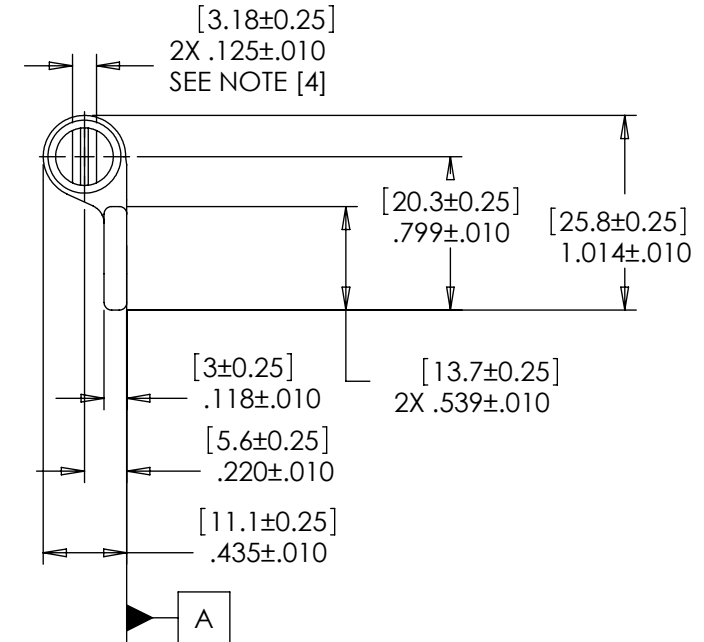
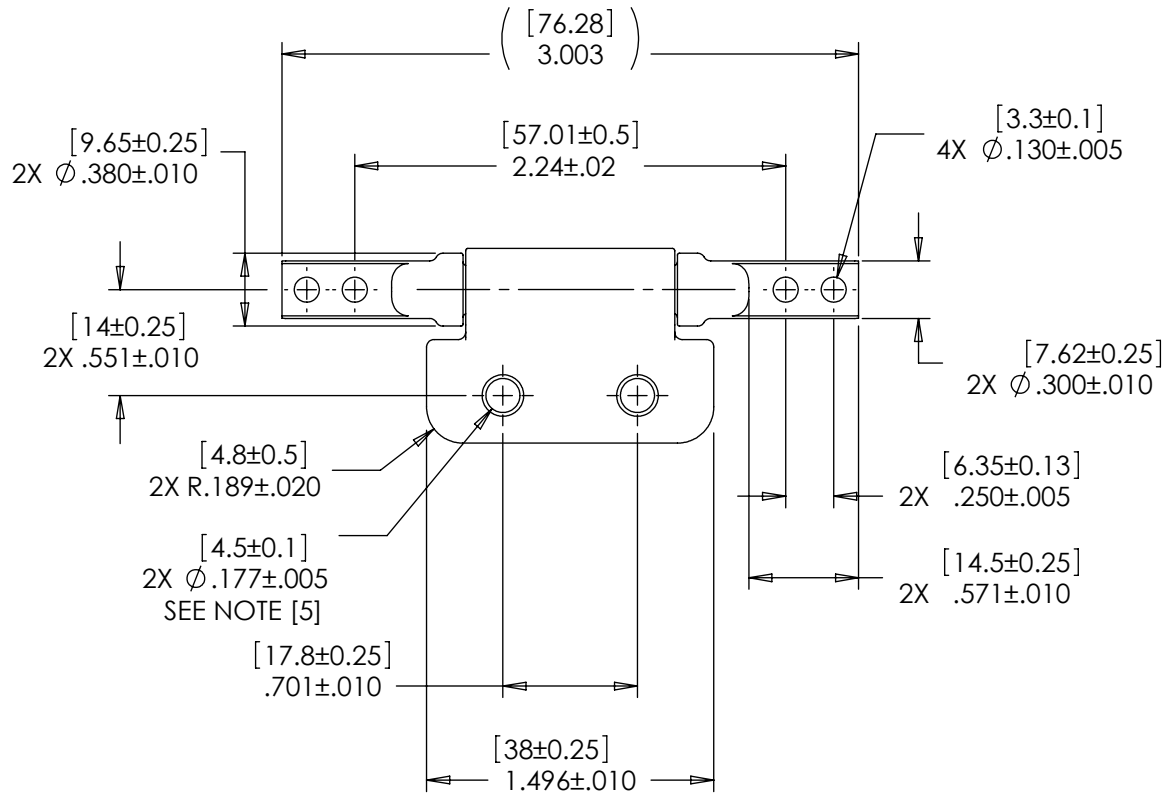


NOTES: 1.

TORQUE	PLAIN	BLACK
[INCHES] mm	PART NO.	PART NO.
[3.9] Lb-in 0.44 Nm	36-054	36-154
[6.9] Lb-in 0.78 Nm	36-058	36-158
[10.8] Lb-in 1.22 Nm	36-062	36-162
[13.9] Lb-in 1.57 Nm	36-066	36-166
[17.8] Lb-in 2.01 Nm	36-070	36-170
[20.8] Lb-in 2.35 Nm	36-074	36-174
[24.7] Lb-in 2.79 Nm	36-080	36-180

2. TORQUE TOLERANCE: $\pm 20\%$
3. LIFE: 50,000 CYCLES WHEN DUTY CYCLE IS LESS THAN 10% AND ROTATIONAL SPEED IS LESS THAN 100 RPM. 30 SECONDS MAXIMUM CONTINUOUS ACTUATION.
- [4] FLATS TO BE ORIENTED $\pm 5^\circ$ WITH RESPECT TO DATUM A AS SHOWN.
- [5] DESIGNED TO ACCEPT M4 OR #8 SCREW OR EQUIVALENT
6. USER MUST DETERMINE FITNESS FOR USE IN APPLICATION
7. MATERIAL:
 BRACKET IS ZINC
 SHAFT ENDS ARE PLATED STEEL
 - LOW CARBON STEEL WITH ZINC PLATE
 SHAFT AND TORQUE ELEMENT ARE
 HARDENED STEEL



SPECIFICATIONS SUBJECT TO CHANGE

INTERPRET PRINT PER
 ASME Y14.5M-1994
 THIS PRINT IS THE
 CONFIDENTIAL PROPERTY
 OF REELL PRECISION MFG.
 THIRD ANGLE PROJECTION

LEVEL	DESCRIPTION	DRAWN	DATE	APPROVED
DRAWN: LIM	DATE: 7-3-01	REFERENCE: 36-XXX		
CHECKED: TWJ	DATE: 8-30-01	TITLE: POSITIONING HINGE, DUAL		
APPROVED: TWJ	DATE: 8-30-01	PART NO: PHB SERIES		
REVISED: 12-18-13	DIMS: [mm]IN	REV: L		
REELL PRECISION MANUFACTURING 1259 WILLOW LAKE BOULEVARD SAINT PAUL, MINNESOTA 55110-5103, USA		SCALE: 1:1	DO NOT SCALE DRAWING	SHEET 1 OF 1