

8 7 6 5 4 3 2 1

NOTES:

1.	HIGH TORQUE	CCW LEFT	CW RIGHT	CW LEFT	CCW RIGHT
		PART NO.	PART NO.	PART NO.	PART NO.
	[13.3] Lb-in 1.5 Nm	11-003	11-103	11-004	11-104
	[22.1] Lb-in 2.5 Nm	11-005	11-105	11-006	11-106
	[31] Lb-in 3.5 Nm	11-007	11-107	11-008	11-108
	[39.8] Lb-in 4.5 Nm	11-009	11-109	11-010	11-110
	[48.7] Lb-in 5.5 Nm	11-011	11-111	11-012	11-112

2. TORQUE LOW IS 65% OF HIGH TORQUE

TORQUE RANGE PER DIRECTION CONFIGURATION:
 STATIC HIGH TORQUE TOLERANCE $\pm 20\%$
 STATIC LOW TORQUE TOLERANCE $\pm 30\%$

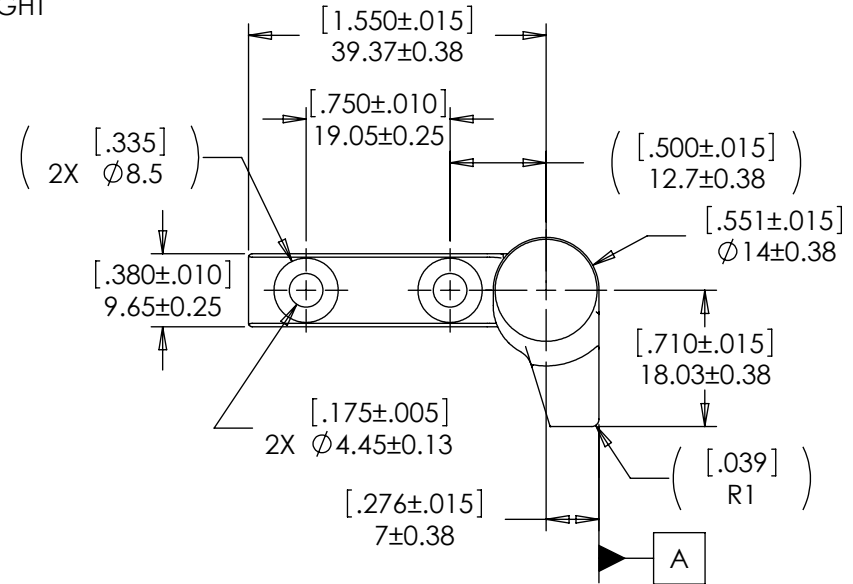
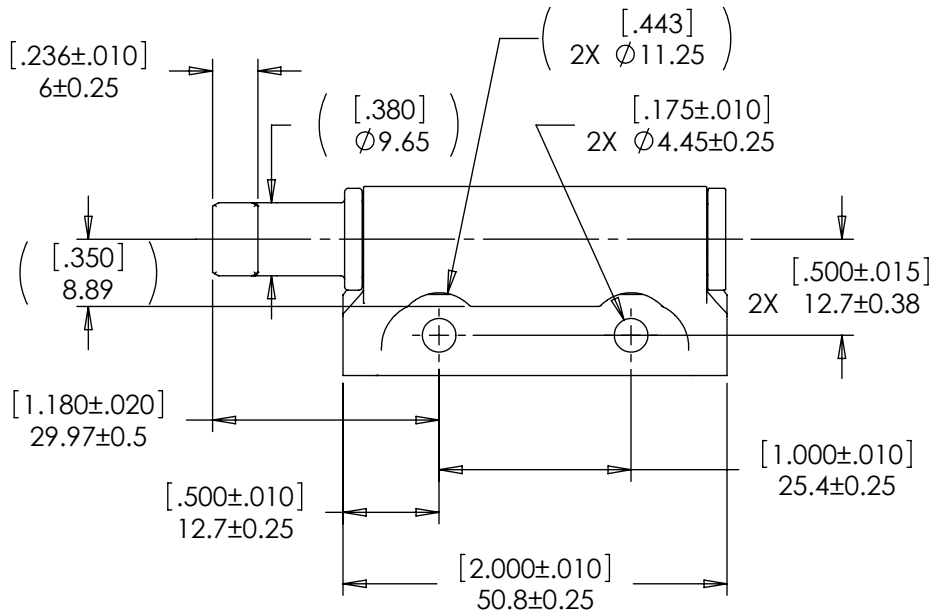
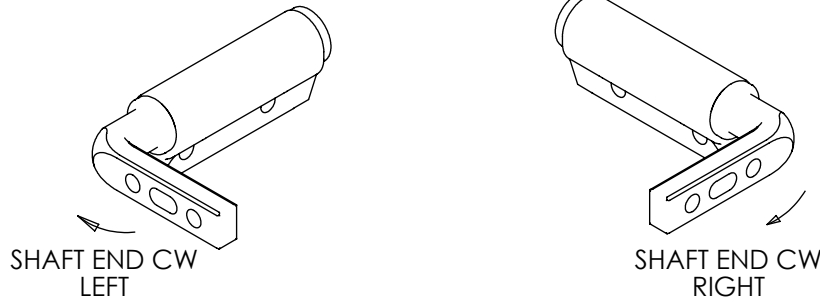
DYNAMIC TORQUE IS NORMALLY WITHIN 10% OF STATIC TORQUE.

3. LIFE: 20,000 CYCLES WHEN DUTY CYCLES IS LESS THAN 10% AND ROTATIONAL SPEED IS LESS THAN 100 RPM. 30 SECONDS MAXIMUM CONTINUOUS ACTUATION.

4. SHAFT END TO BE ORIENTED $90^\circ \pm 5^\circ$ AS SHOWN WITH RESPECT TO DATUM A.

5. USER MUST DETERMINE FITNESS FOR USE IN APPLICATION.

6. DESIGNED TO ACCEPT M4 OR #8 SCREW OR EQUIVALENT.



LEVEL	DESCRIPTION	DRAWN	DATE	APPROVED
DRAWN:	DDF	DATE:	4-14-05	REFERENCE: APPL: 11-0XX-1XX DESIGNER: TIM JENUM TYPE: SALES DRAWING TITLE: POSITIONING HINGE 90° LEFT AND RIGHT PART NO: PHK SERIES
CHECKED:	TWJ	DATE:	4-26-05	
APPROVED:	TWJ	DATE:	4-26-05	
REVISED:	6-27-11	DIMS:	[IN]mm	
INTERPRET PRINT PER ASME Y14.5M-1994 THIS PRINT IS THE CONFIDENTIAL PROPERTY OF REELL PRECISION MFG. THIRD ANGLE PROJECTION				REV: H
REELL PRECISION MANUFACTURING 1259 WILLOW LAKE BOULEVARD SAINT PAUL, MINNESOTA 55110-5103, USA		SCALE: 1:1	DO NOT SCALE DRAWING	SHEET 1 OF 1

SPECIFICATION SUBJECT TO CHANGE

8 7 6 5 4 3 2 1