

NOTES: 1.

HIGH TORQUE	CCW	CW
	PART NO.	PART NO.
[13.3] Lb-in 1.5 Nm	11-203	11-204
[22.1] Lb-in 2.5 Nm	11-205	11-206
[31] Lb-in 3.5 Nm	11-207	11-208
[39.8] Lb-in 4.5 Nm	11-209	11-210
[48.7] Lb-in 5.5 Nm	11-211	11-212

2. TORQUE LOW IS 65% OF HIGH TORQUE

TORQUE RANGE PER DIRECTION CONFIGURATION:
 STATIC HIGH TORQUE TOLERANCE $\pm 20\%$
 STATIC LOW TORQUE TOLERANCE $\pm 30\%$

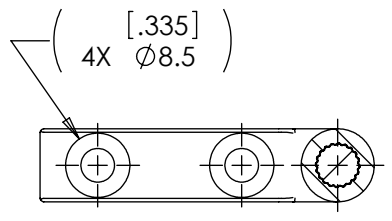
DYNAMIC TORQUE IS NORMALLY WITHIN 10% OF STATIC TORQUE.

3. LIFE: 20,000 CYCLES WHEN DUTY CYCLES IS LESS THAN 10% AND ROTATIONAL SPEED IS LESS THAN 100 RPM. 30 SECONDS MAXIMUM CONTINUOUS ACTUATION.

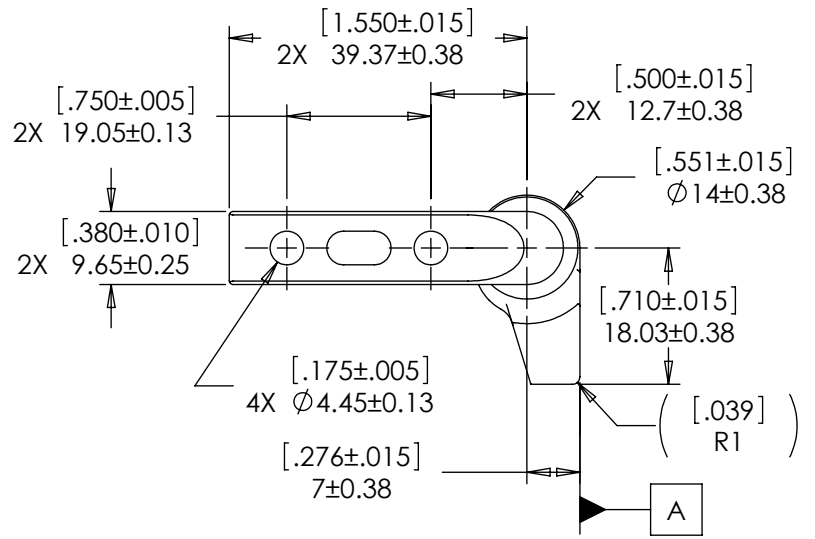
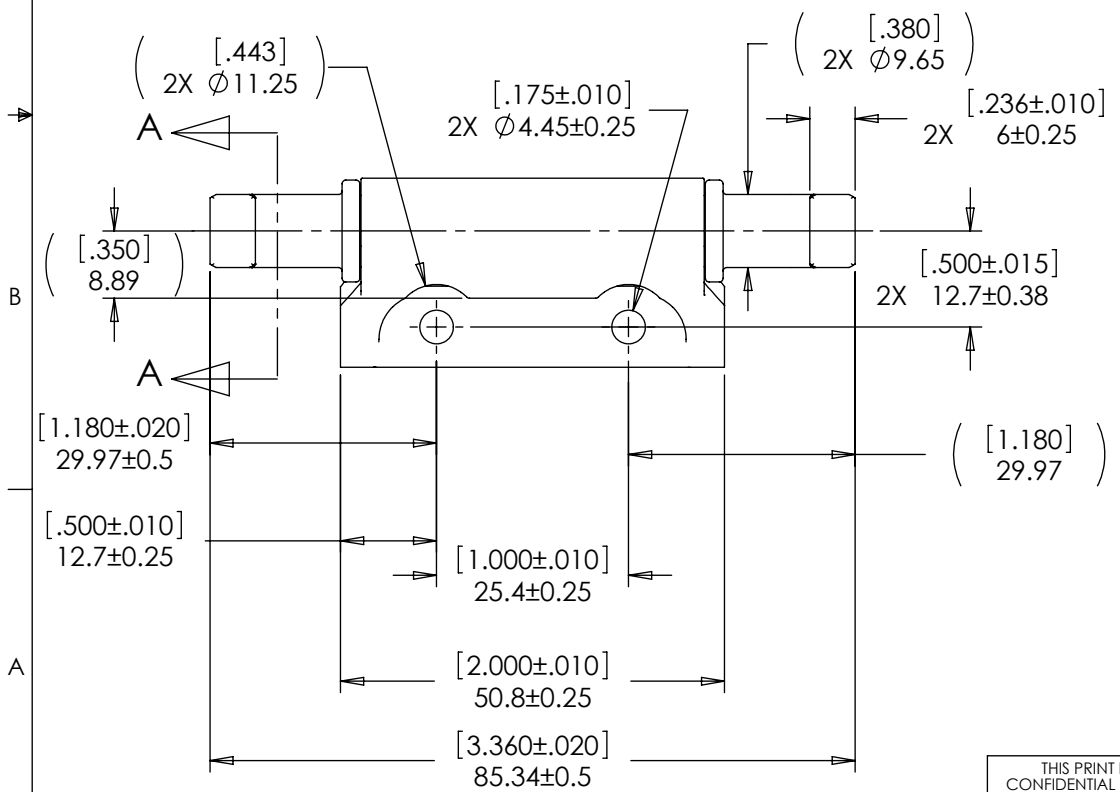
4. SHAFT END TO BE ORIENTED $90^\circ \pm 5^\circ$ AS SHOWN WITH RESPECT TO DATUM A.

5. USER MUST DETERMINE FITNESS FOR USE IN APPLICATION.

6. DESIGNED TO ACCEPT M4 OR #8 SCREW OR EQUIVALENT.



SECTION A-A



SPECIFICATION SUBJECT TO CHANGE

THIS PRINT IS THE CONFIDENTIAL PROPERTY OF REELL PRECISION MFG.
 THIRD ANGLE PROJECTION

LEVEL	DESCRIPTION	DRAWN	DATE	APPROVED
DRAWN: DDF	DATE: 4-14-05	REFERENCE: APPL: 11-2XX		
CHECKED: TWJ	DATE: 4-26-05	DESIGNER: TIM JENUM		
APPROVED: TWJ	DATE: 4-26-05	TYPE: SALES DRAWING		
REVISED: 6-1-11	DIMS: [IN]mm	TITLE: POSITIONING HINGE 90° DUAL		
		PART NO: PHK SERIES	REV: H	
		REELL PRECISION MANUFACTURING 1259 WILLOW LAKE BOULEVARD SAINT PAUL, MINNESOTA 55110-5103, USA	SCALE: 1:1	DO NOT SCALE DRAWING