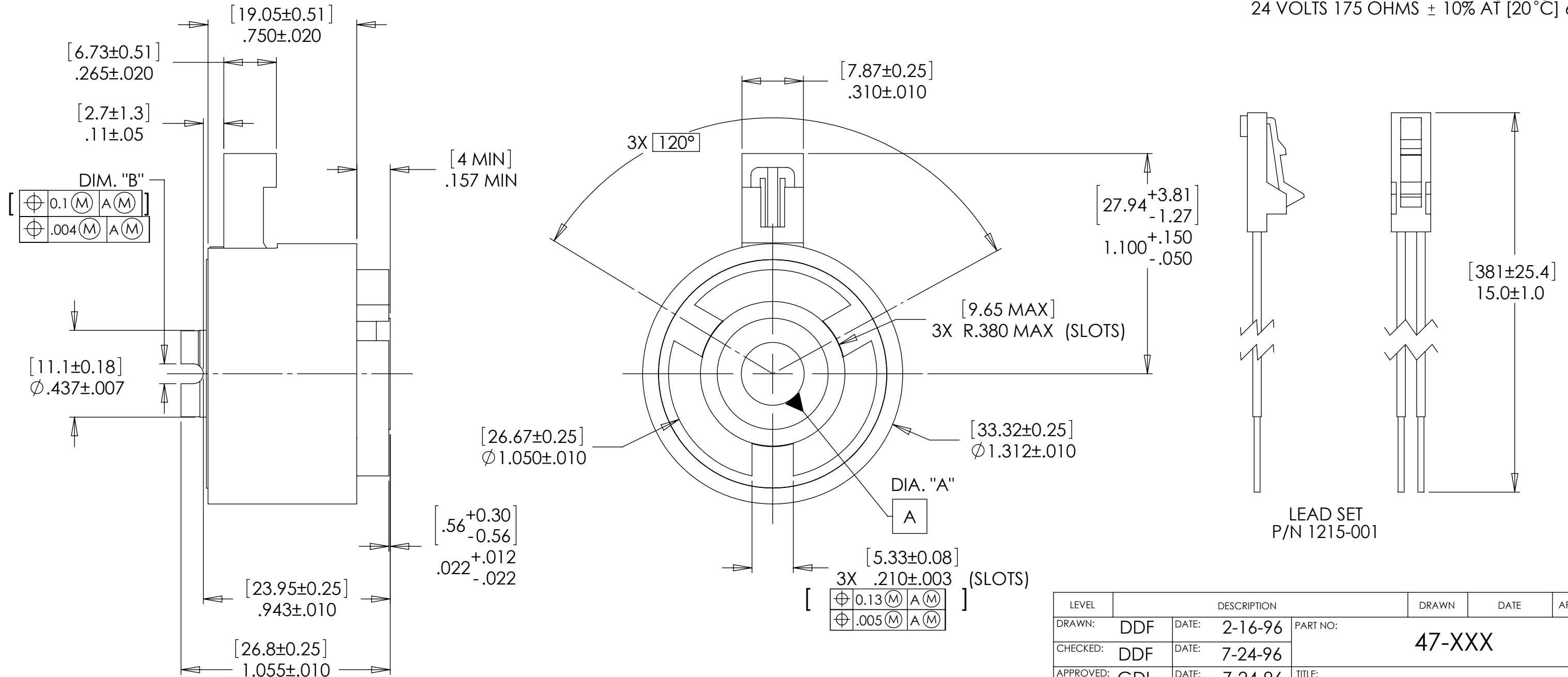


REELL RADIAL ELECTRIC CLUTCH

SHAFT NOM.	DIA. "A"	DIM. "B"	CROSS PIN SIZE	ONE MILLION CYCLE TORQUE RATING: [3.45 Nm] 30 Lb-in TOTAL LOAD.
1/4 6mm 8mm & 5/16	.2505/.2530 [6.01/6.09]	.099/.108 [2.53/2.75]	3/32 [2.5]	8mm BORE SHOWN CROSS PIN SHAFT THREE DOG DRIVE HUB MOLDED COIL CONNECTOR
	[8.01/8.09] & .3153/.3185	[2.53/2.75] & .099/.108	[2.5] & 3/32	

NOTES:

- CONNECTOR PINS ARE [0.64 x 0.64] .025 x .025 SQUARE. THE FOLLOWING MATING CONNECTORS CAN BE USED.
 TERMINAL: POLARIZED LATCHING CONNECTOR, INSULATION DISPLACEMENT CONTACTS
 AMP NO. 5-103956-1
 ALTERNATE TERMINAL:
 MOLEX NO. 14-60-0022
- RESISTANCE: 12 VOLTS 44 OHMS ± 10% AT [20°C] 68°F.
 24 VOLTS 175 OHMS ± 10% AT [20°C] 68°F.



SPECIFICATIONS SUBJECT TO CHANGE

CONSISTENT WITH ASME Y14.5M-1994
 THIS PRINT IS THE CONFIDENTIAL PROPERTY OF REELL PRECISION MFG.
 THIRD ANGLE PROJECTION

LEVEL	DESCRIPTION	DRAWN	DATE	APPROVED
DRAWN: DDF	DATE: 2-16-96	PART NO: 47-XXX		
CHECKED: DDF	DATE: 7-24-96	TITLE: HIGH TORQUE CLUTCH ASSEMBLY		
APPROVED: GDL	DATE: 7-24-96	DESCRIPTION: EC30XP		
REVISED: 10-24-16	DIMS: [mm]IN	REV: H		
REELL PRECISION MANUFACTURING 1259 WILLOW LAKE BOULEVARD SAINT PAUL, MINNESOTA 55110-5103, USA		SCALE: 2:1	DO NOT SCALE DRAWING	SHEET 1 OF 1

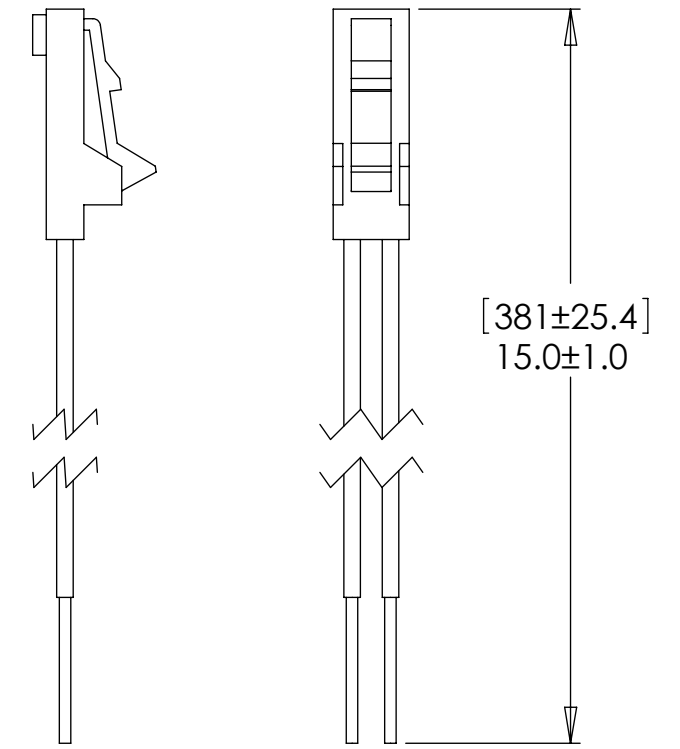
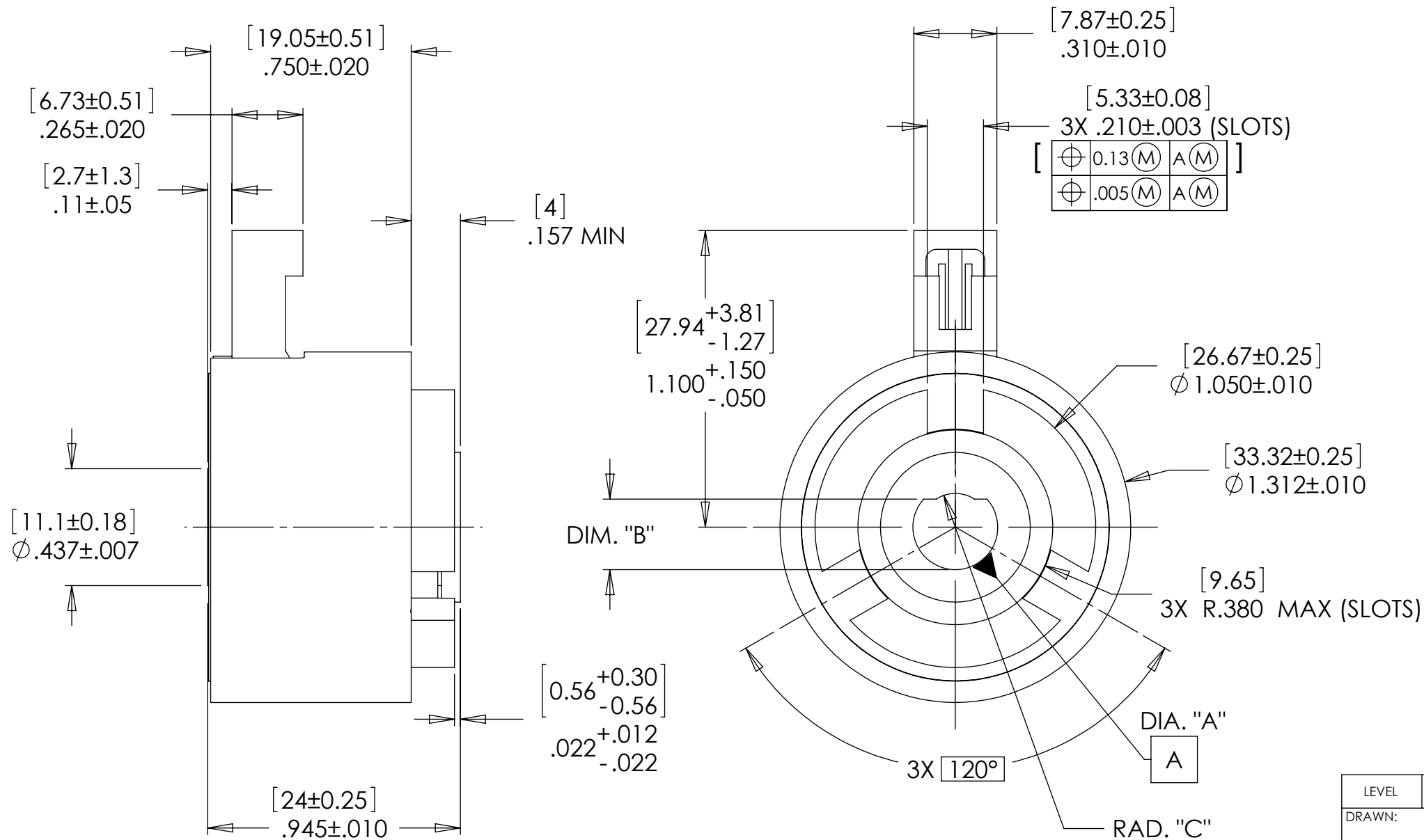


REELL RADIAL ELECTRIC CLUTCH

SHAFT NOM.	DIA. "A"	DIM. "B"	RAD. "C"	ONE MILLION CYCLE TORQUE RATING: [3.45 Nm] 30 Lb-in TOTAL LOAD.
1/4 6mm 8mm & 5/16	.2505/.2530 [6.01/6.09] [8.01/8.09] & .3153/.3185	.2115/.2152 [5.01/5.1] [6.64/6.74] & .2614/.2654	.099/.107 [2.51/2.72] [3.2/3.45] & .1260/.1359	8mm BORE SHOWN THROUGH D SHAFT THREE DOG DRIVE HUB MOLDED COIL CONNECTOR

NOTES:

- CONNECTOR PINS ARE [0.64 x 0.64] .025 x .025 SQUARE. THE FOLLOWING MATING CONNECTORS CAN BE USED.
 TERMINAL: POLARIZED LATCHING CONNECTOR, INSULATION DISPLACEMENT CONTACTS
 AMP NO. 5-103956-1
 ALTERNATE TERMINAL:
 MOLEX NO. 14-60-0022
- RESISTANCE: 12 VOLTS 44 OHMS ± 10% AT [20 °C] 68 °F.
 24 VOLTS 175 OHMS ± 10% AT [20 °C] 68 °F.



LEAD SET
P/N 1215-001

SPECIFICATIONS SUBJECT TO CHANGE

CONSISTENT WITH
ASME Y14.5M-1994
THIS PRINT IS THE
CONFIDENTIAL PROPERTY
OF REELL PRECISION MFG.
THIRD ANGLE PROJECTION



REELL PRECISION MANUFACTURING
1259 WILLOW LAKE BOULEVARD
SAINT PAUL, MINNESOTA 55110-5103, USA

LEVEL	DESCRIPTION	DRAWN	DATE	APPROVED
DRAWN: DDF	DATE: 2-16-96	PART NO: 47-XXX		
CHECKED: DDF	DATE: 1-3-97	TITLE: HIGH TORQUE CLUTCH ASSEMBLY		
APPROVED: GDL	DATE: 1-3-97	DESCRIPTION: ED30XP		
REVISED: 10-21-16	DIMS: [mm]IN	SCALE: 2:1		DO NOT SCALE DRAWING
				REV: H
				SHEET 1 OF 1