

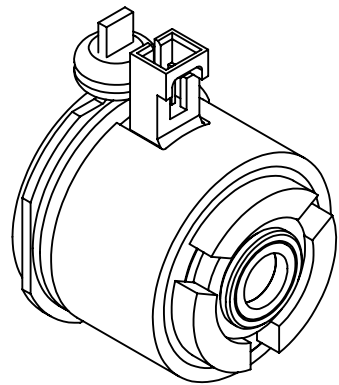
CURRENTLY AVAILABLE CATALOG OPTIONS
CATALOG CODE
EC20CBLL-CW-8mm-24
EC20CBLL-CCW-8mm-24
EC20CBLL-CW-6mm-24
EC20CBLL-CCW-6mm-24
EC20CBLL-CW-1/4-24
EC20CBLL-CCW-1/4-24

# CATALOG CODE EC20CBLL-XX-XXX-XX

<b>DIRECTION</b>
CW CCW

<b>SHAFT ID</b>
6mm 1/4 (IN) 8mm

<b>VOLTAGE</b>
24



SEE NOTE [3]

SPECIFICATIONS SUBJECT TO CHANGE

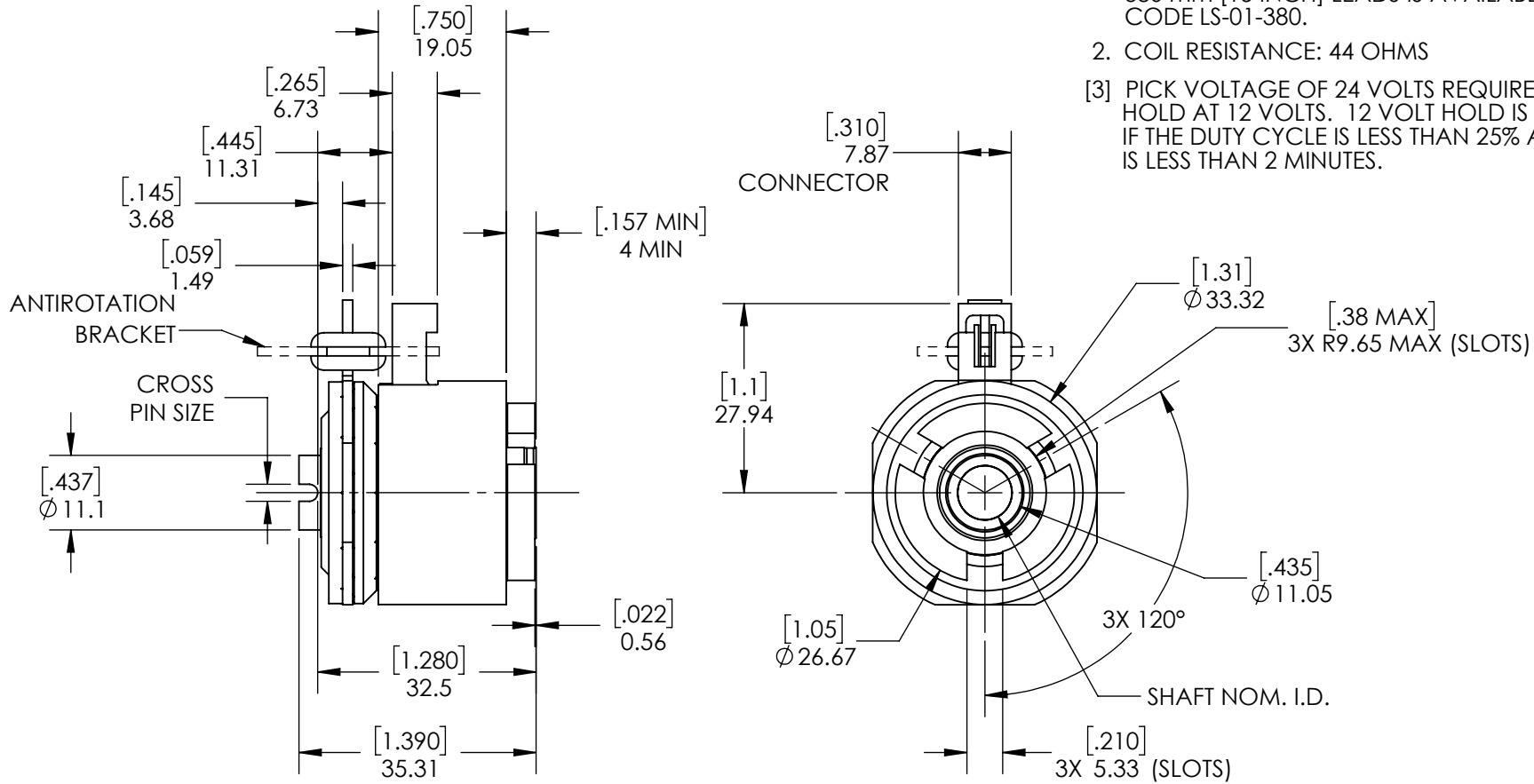
	ECO NO: 04496	PART LIFECYCLE: RELEASED
	APPROVED BY: BOB WAHLSTEDT	DEVELOPMENT CYCLE: PRODUCTION
	APPROVED DATE: 11 JAN 22	DESCRIPTION:  <b>SALES DRAWING</b>
	PROJECT NO: 0	
REELL PRECISION MANUFACTURING 1259 WILLOW LAKE BOULEVARD SAINT PAUL, MINNESOTA 55110-5103, USA	ENGINEER: BOB WAHLSTEDT	PART NO: <b>EC20CBLL</b>
THIS PRINT IS THE CONFIDENTIAL PROPERTY OF REELL PRECISION MFG.	DRAWN BY: BOB WAHLSTEDT	
INTERPRET PRINT PER ASME Y14.5M-2009	THIRD ANGLE PROJECTION 	SCALE: 1:1
	DIMENSIONS: mm [IN]	DO NOT SCALE DRAWING
		SHEET 1 OF 2

REELL RADIAL ELECTRIC CLUTCH

SHAFT NOM. I.D.	CROSS PIN SIZE	ONE MILLION CYCLE TORQUE RATING: 3.45 Nm [30 lb-in] TOTAL LOAD	BRAKE TORQUE: 0.057 Nm [8 oz-in] MIN 0.247 Nm [35 oz-in] MAX WHEN CLUTCH IS DISENGAGED
6mm	2.5	8mm BORE SHOWN	
1/4"	3/32"		
8mm	2.5		

NOTES:

- CONNECTOR PINS ARE 0.64 x 0.64 [0.025 x 0.025] SQUARE. THE FOLLOWING MATING CONNECTORS CAN BE USED:  
 TERMINAL: POLARIZED LATCHING CONNECTOR, INSULATION DISPLACEMENT CONTACTS, AMP NO. 5-103956-1  
 ALTERNATE TERMINAL: MOLEX NO. 14-60-0022  
 A LEAD SET WITH MATING CONNECTOR AND 380 mm [15 INCH] LEADS IS AVAILABLE. REELL CATALOG CODE LS-01-380.
- COIL RESISTANCE: 44 OHMS
- PICK VOLTAGE OF 24 VOLTS REQUIRED FOR 50mSEC. HOLD AT 12 VOLTS. 12 VOLT HOLD IS NOT REQUIRED IF THE DUTY CYCLE IS LESS THAN 25% AND THE ON TIME IS LESS THAN 2 MINUTES.



ALL DIMENSIONS REFERENCE  
SEE CAD MODEL FOR UNSPECIFIED FEATURES

SPECIFICATIONS SUBJECT TO CHANGE

<p>REELL PRECISION MANUFACTURING 1259 WILLOW LAKE BOULEVARD SAINT PAUL, MINNESOTA 55110-5103, USA</p>	ECO NO: 04496	PART LIFECYCLE: RELEASED
	APPROVED BY: BOB WAHLSTEDT	DEVELOPMENT CYCLE: PRODUCTION
	APPROVED DATE: 11 JAN 22	DESCRIPTION:
	PROJECT NO: 0	<b>SALES DRAWING</b>
ENGINEER: BOB WAHLSTEDT	PART NO: EC20CBLL	REV: L
DRAWN BY: BOB WAHLSTEDT	THIRD ANGLE PROJECTION	SCALE: 1:1 DO NOT SCALE DRAWING
THIS PRINT IS THE CONFIDENTIAL PROPERTY OF REELL PRECISION MFG.		SHEET 2 OF 2
INTERPRET PRINT PER ASME Y14.5M-2009	DIMENSIONS: mm [IN]	