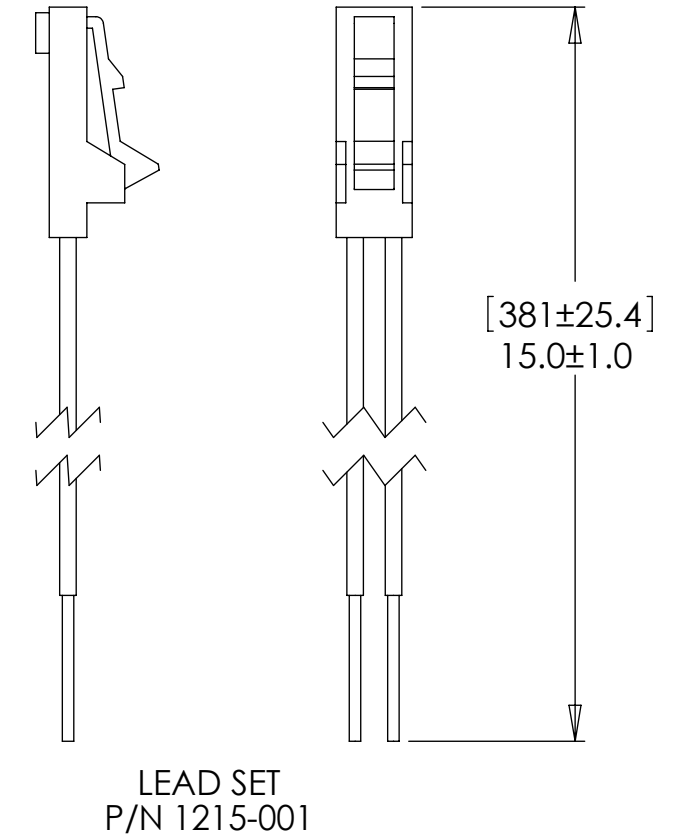
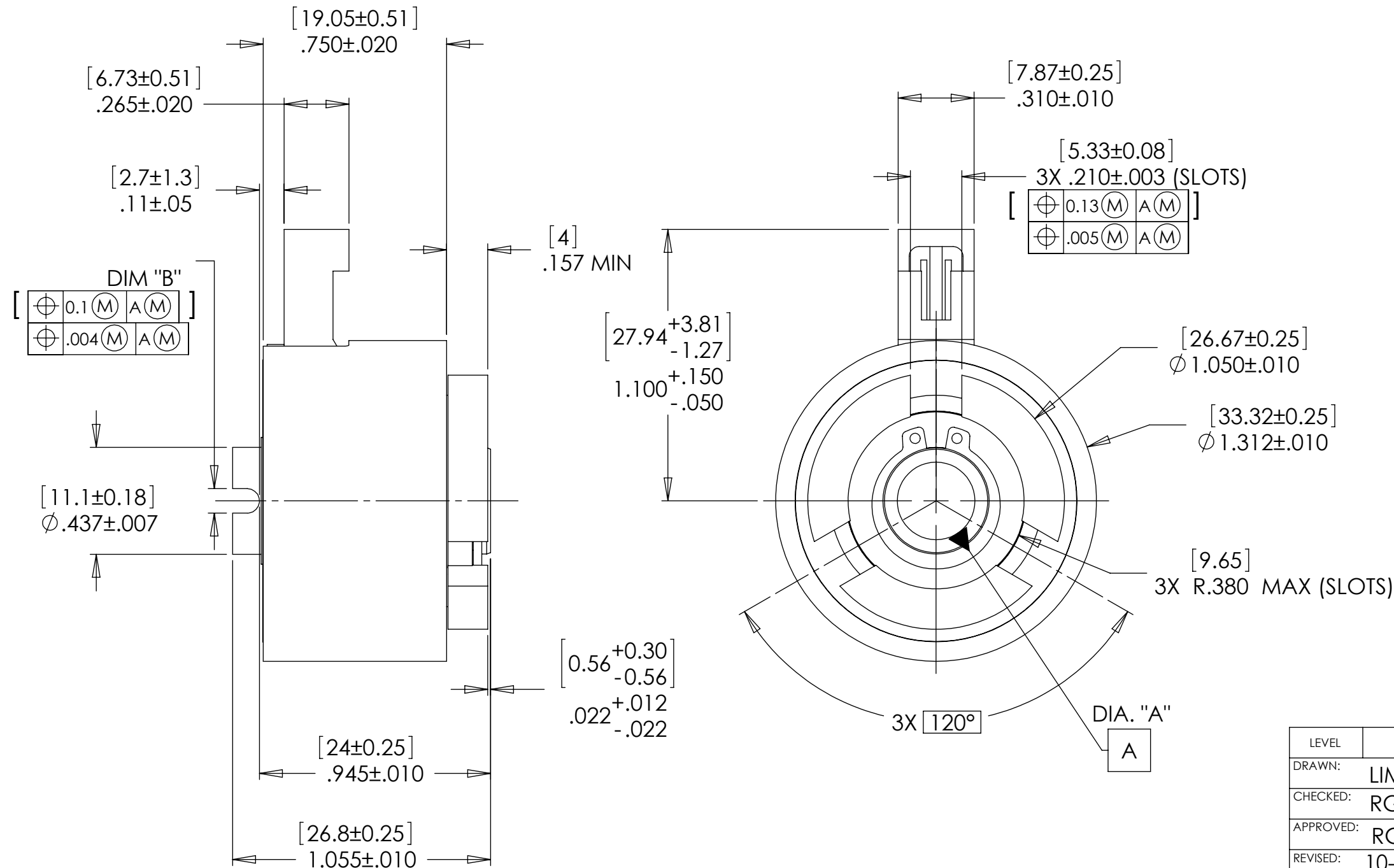


REELL RADIAL ELECTRIC CLUTCH

SHAFT NOM.	DIA. "A"	DIM. "B"	CROSS PIN SIZE	ONE MILLION CYCLE TORQUE RATING: [3.45 Nm] 30 Lb-in TOTAL LOAD.
1/4 6mm 8mm & 5/16	.2505/.2530 [6.01/6.09] [8.01/8.09] & .3153/.3185	.099/.108 [2.53/2.75] [2.53/2.75] & .099/.108	3/32 [2.5] [2.5] & 3/32	8mm BORE SHOWN CROSS PIN SHAFT THREE DOG DRIVE HUB MOLDED COIL CONNECTOR

NOTES:

- CONNECTOR PINS ARE [0.64 x 0.64] .025 x .025 SQUARE. THE FOLLOWING MATING CONNECTORS CAN BE USED.
 TERMINAL: POLARIZED LATCHING CONNECTOR, INSULATION DISPLACEMENT CONTACTS
 AMP NO. 5-103956-1
 ALTERNATE TERMINAL:
 MOLEX NO. 14-60-0022
- RESISTANCE: 12 VOLTS 44 OHMS ± 10% AT [20°C] 68°F.
 24 VOLTS 175 OHMS ± 10% AT [20°C] 68°F.



SPECIFICATIONS SUBJECT TO CHANGE

CONSISTENT WITH ASME Y14.5M-1994
 THIS PRINT IS THE CONFIDENTIAL PROPERTY OF REELL PRECISION MFG.
 THIRD ANGLE PROJECTION

LEVEL	DESCRIPTION	DRAWN	DATE	APPROVED
DRAWN: LIM	DATE: 02-05-01	PART NO: 17-XXX		
CHECKED: RGW	DATE: 03-30-01	TITLE: LONG LIFE HIGH TORQUE CLUTCH ASSEMBLY		
APPROVED: RGW	DATE: 03-30-01	DESCRIPTION: EC30LL		
REVISED: 10-21-16	DIMS: [mm]IN	REV: E		
REELL PRECISION MANUFACTURING 1259 WILLOW LAKE BOULEVARD SAINT PAUL, MINNESOTA 55110-5103, USA		SCALE: 2:1	DO NOT SCALE DRAWING	SHEET 1 OF 1

