

CATALOG CODE PHCS-X.XX-XX

TORQUE Nm

0.44
0.78
1.22
1.57
2.01
2.35
2.79

MOUNTING TYPE


01 - THROUGH
02 - COUNTERSINK

DYNAMIC TORQUE	
NOMINAL (Nm)	TOLERANCE
0.44	±30%
0.78	±25%
1.22	±25%
1.57	±20%
2.01	±20%
2.35	±20%
2.79	±20%

PRODUCT TORQUE SPECIFICATION AT +20°C.

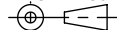
NOTES:

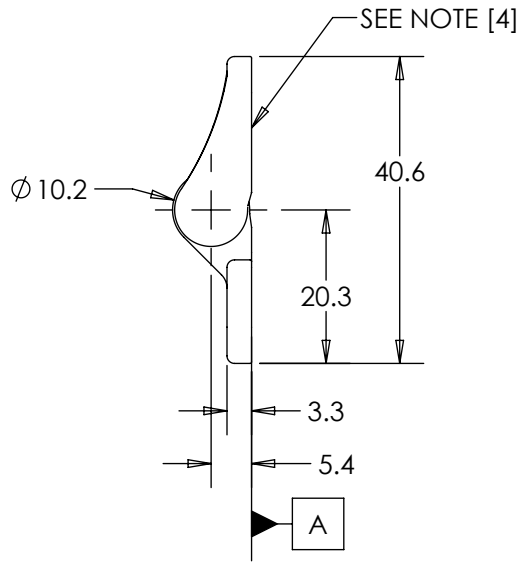
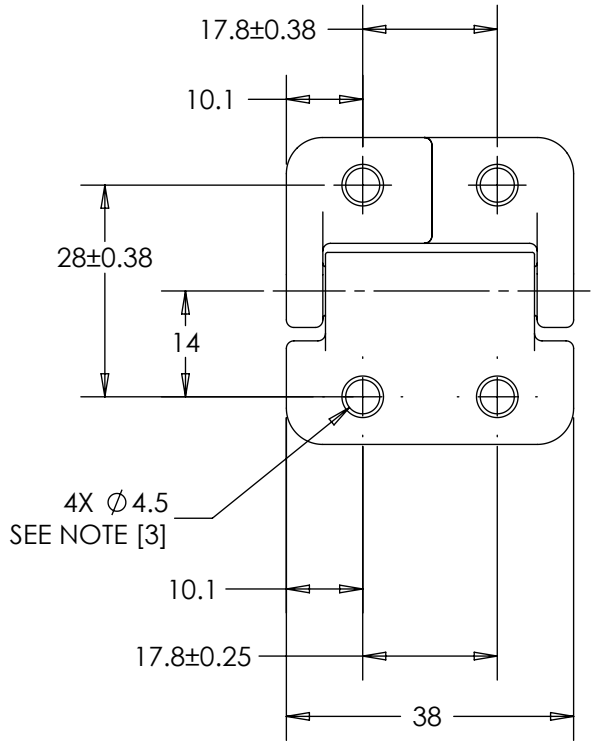
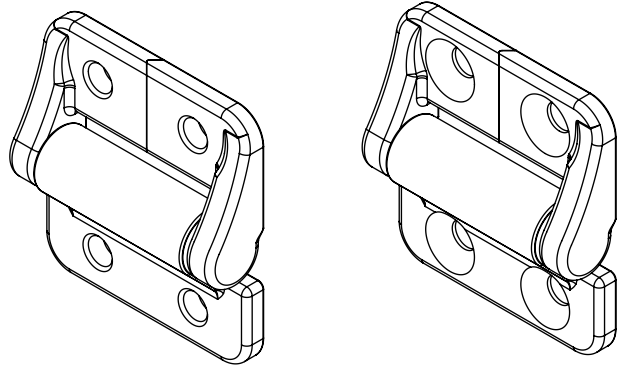
1. USER MUST DETERMINE FITNESS FOR USE IN APPLICATION.
2. LIFE: 50,000 CYCLES WHEN DUTY CYCLE IS LESS THAN 10% AND ROTATIONAL SPEED IS LESS THAN 100 RPM. 30 SECONDS MAXIMUM CONTINUOUS ACTUATION.
- [3] DESIGNED TO ACCEPT M4 OR #8 SCREW OR EQUIVALENT.
- [4] FLATS TO BE ORIENTED $\pm 5^\circ$ WITH RESPECT TO DATUM A AS SHOWN.
5. MATERIAL:
316L STAINLESS STEEL BRACKET
316L STAINLESS STEEL SHAFT END
HARDENED STEEL SHAFT
HARDENED STEEL TORQUE ELEMENTS

LEVEL	ECO - DESCRIPTION		DRAWN	DATE	APPROVED
DRAWN:	TLS	DATE: 24AUG10	REFERENCE:		
CHECKED:	TWJ	DATE: 24AUG10	TITLE:		
APPROVED:	TWJ	DATE: 24AUG10	SALES DRAWING		
REVISED:	13JUL20	DIMS: mm	PART NO: PHCS		
 REELL PRECISION MANUFACTURING 1259 WILLOW LAKE BOULEVARD SAINT PAUL, MINNESOTA 55110-5103, USA			REV: H		
			SCALE: 1:1	DO NOT SCALE DRAWING	SHEET 1 OF 2

INTERPRET PRINT PER
ASME Y14.5M-1994
THIS PRINT IS THE
CONFIDENTIAL PROPERTY
OF REELL PRECISION MFG.

THIRD ANGLE PROJECTION





ALL DIMENSIONS REFERENCE
SEE CAD MODEL FOR UNSPECIFIED FEATURES.

*DIMENSIONS APPLY TO THROUGH
AND COUNTERSUNK HOLE OPTIONS*

SPECIFICATIONS SUBJECT TO CHANGE

LEVEL	DESCRIPTION	DRAWN	DATE	APPROVED
DRAWN:	TLS	DATE:	24AUG10	PART NO: TITLE: SALES DRAWING
CHECKED:	TWJ	DATE:	24AUG10	
APPROVED:	TWJ	DATE:	24AUG10	
REVISED:	13JUL20	DIMS:	mm	
INTERPRET PRINT PER ASME Y14.5M-1994 THIS PRINT IS THE CONFIDENTIAL PROPERTY OF REELL PRECISION MFG.				DESCRIPTION: PHCS
THIRD ANGLE PROJECTION 				
		SCALE: 1:1	DO NOT SCALE DRAWING	SHEET 2 OF 2