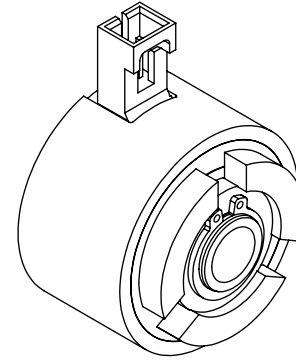
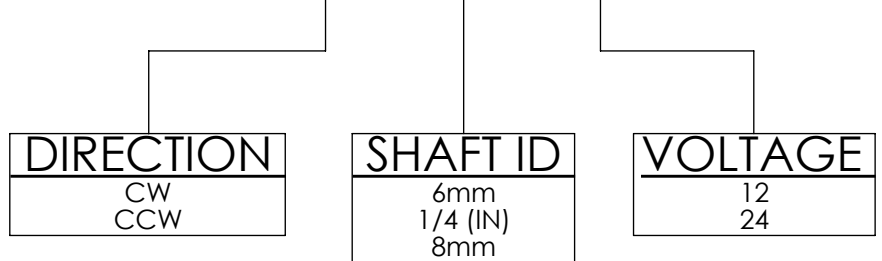


CURRENTLY AVAILABLE CATALOG OPTIONS	
CATALOG CODE	
EC30LL-CW-8mm-24	
EC30LL-CCW-8mm-24	
EC30LL-CW-8mm-12	
EC30LL-CCW-8mm-12	
EC30LL-CW-6mm-24	
EC30LL-CCW-6mm-24	
EC30LL-CW-1/4-24	
EC30LL-CCW-1/4-24	
EC30LL-CW-1/4-12	
EC30LL-CCW-1/4-12	



CATALOG CODE EC30LL-XX-XXX-XX



	ECO NO: 03966	PART LIFECYCLE: RELEASED	
	APPROVED BY: BOB WAHLSTEDT	DEVELOPMENT CYCLE: PRODUCTION	
	APPROVED DATE: 29 JUN21	DESCRIPTION:	
	PROJECT NO: 0	<h2>SALES DRAWING</h2>	
ENGINEER: BOB WAHLSTEDT			
REELL PRECISION MANUFACTURING 1259 WILLOW LAKE BOULEVARD SAINT PAUL, MINNESOTA 55110-5103, USA	DRAWN BY: BOB WAHLSTEDT	PART NO: EC30LL	
THIS PRINT IS THE CONFIDENTIAL PROPERTY OF REELL PRECISION MFG.	THIRD ANGLE PROJECTION 	SCALE: 1:1	REV: F
INTERPRET PRINT PER ASME Y14.5M-2009	DIMENSIONS: mm	DO NOT SCALE DRAWING	SHEET 1 OF 2

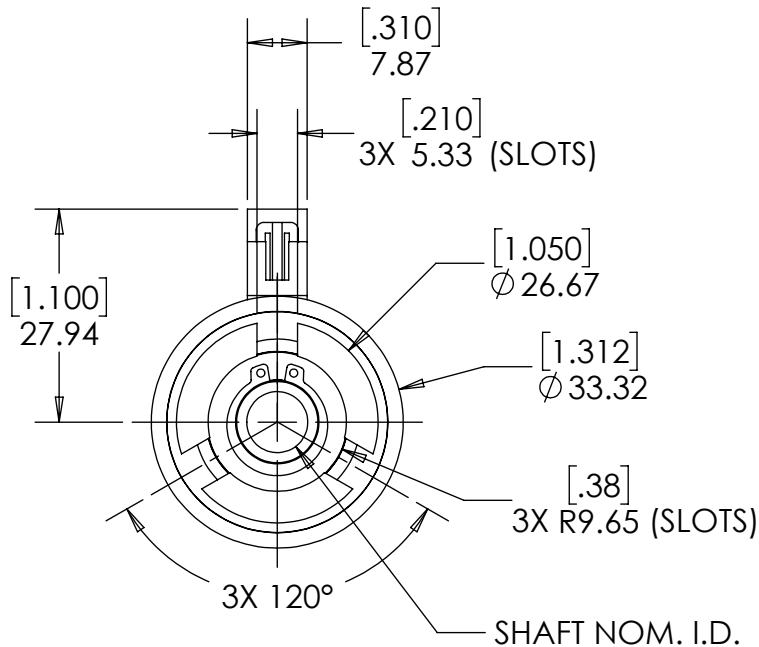
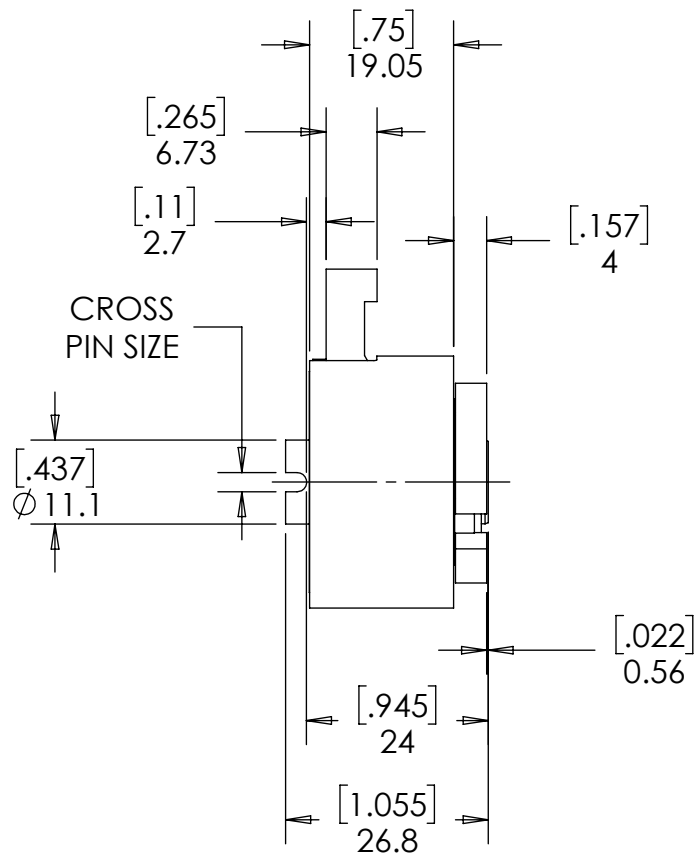
SPECIFICATIONS SUBJECT TO CHANGE

REELL RADIAL ELECTRIC CLUTCH

SHAFT NOM. I.D.	CROSS PIN SIZE	ONE MILLION CYCLE TORQUE RATING: [30lb-in] 3.45 Nm TOTAL LOAD.
6mm	2.5 mm	8mm BORE SHOWN
1/4 IN	3/32 IN	
8mm	2.5 mm	

NOTES:

- CONNECTOR PINS ARE [.025 x .025] 0.64 x 0.64 SQUARE. THE FOLLOWING MATING CONNECTORS CAN BE USED.
 TERMINAL: POLARIZED LATCHING CONNECTOR, INSULATION DISPLACEMENT CONTACTS
 AMP NO. 5-103956-1
 ALTERNATE TERMINAL:
 MOLEX NO. 14-60-0022
 A LEAD SET WITH MATING CONNECTOR AND [15 INCH] 380mm LEADS IS AVAILABLE. REELL CATALOG CODE LS-01-380.
- RESISTANCE: 12 VOLTS 44 OHMS AT [68°F] 20°C.
 24 VOLTS 175 OHMS AT [68°F] 20°C.



ALL DIMENSIONS REFERENCE
SEE CAD MODEL FOR UNSPECIFIED FEATURES.

SPECIFICATIONS SUBJECT TO CHANGE

	ECO NO: 03966	PART LIFECYCLE: RELEASED
	APPROVED BY: BOB WAHLSTEDT	DEVELOPMENT CYCLE: PRODUCTION
	APPROVED DATE: 29 JUN21	DESCRIPTION:
	PROJECT NO: 0	SALES DRAWING
REELL PRECISION MANUFACTURING 1259 WILLOW LAKE BOULEVARD SAINT PAUL, MINNESOTA 55110-5103, USA	ENGINEER: BOB WAHLSTEDT	PART NO: EC30LL
THIS PRINT IS THE CONFIDENTIAL PROPERTY OF REELL PRECISION MFG.	DRAWN BY: BOB WAHLSTEDT	
INTERPRET PRINT PER ASME Y14.5M-2009	THIRD ANGLE PROJECTION 	SCALE: 1:1
	DIMENSIONS: [IN] mm	DO NOT SCALE DRAWING
		SHEET 2 OF 2