

vMX VESA Standard Monitor Mount Installation Guide



Reell's vMX monitor mount unique ball and socket design creates a superior user experience in applications with frequent adjustments. Offering tilt, pan, 360° rotation, and "to the corner" positioning, the vMX offers an easier to use, secure monitor mount solution without locking knobs or levers.

Installation Process

Install the vMX with 3 simple steps to greater monitor adjustment and secure positioning.

Step 1:

Drill and tap a M10 X 1.5 threaded hole in the monitor mount stand or base to a depth of at least 13mm to accept the vMX threaded shaft. See on figure 1:

Step 2:

Thread vMX shaft into threaded port created in step 1 and torque the recommended 35-45Nm.

Step 3:

Attach the vMX to the 75mm or 100mm VESA hole pattern on the monitor using M4x12mm screws or hardware recommended by the monitor manufacturer. See on figure 2:

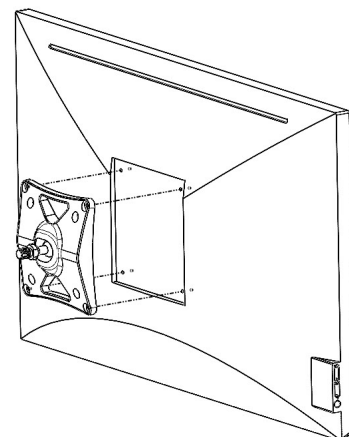
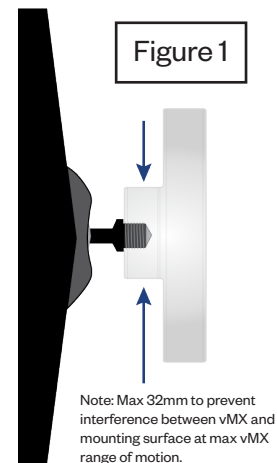


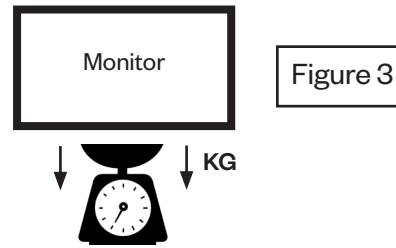
Figure 2

Select Correct Torque Value for the Monitor

Follow these simple steps to select the correct torque value for your monitor

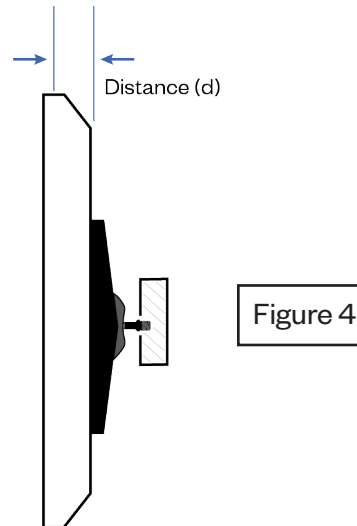
Step 1:

Determine the weight of the monitor. See on figure 3:



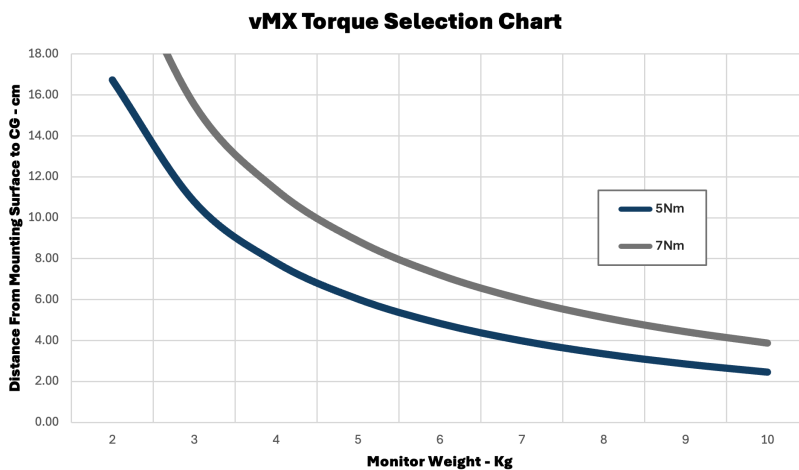
Step 2:

Determine the distance from the mounting surface (back) of the monitor and the center of gravity. See on figure 4:



Step 3:

Determine the torque based on the chart below. The vMX will hold the monitor in place at any point under the curve. Points closer to the curve require lower force to move the monitor. Then select the correct part number from the table.



Catalog Code	Torque Profile	Upward Tilt		Side to Side Swivel		360° Rotational Torque		Color
		Nm	lb-in	Nm	lb-in	Nm	lb-in	
vMX-100-5.0S-01-BK	Symmetric	5.0±1.5 Nm	44.3±13.3 LB-IN	5.0±1.5 Nm	44.3±13.3 LB-IN	8.2±2.5Nm	72.6±22.1 LB-IN	Black
vMX-100-7.0S-01-BK	Symmetric	7.0±2.1 Nm	62.0±18.6LB-IN	7.0±2.1 Nm	60.2±18.1LB-IN	11.8±3.5 Nm	104.4±31.0 LB-IN	Black

* Please contact Reell for availability on white vMX monitor mounts *

Additional Notes and Guidelines

1. Product recommendations and installation instructions provided as general guidance. Because many factors may impact final product performance, Reell strongly advises customer to test our product in their end use application to confirm acceptable performance.
2. Additional dimensions and technical details and warranty statement can be found for this and other product at Reell.com



REELL PRECISION MFG
Innovative Torque Solutions

Reell.com
info@Reell.com