

CATALOG CODE
SA-X.X-XX-XXX

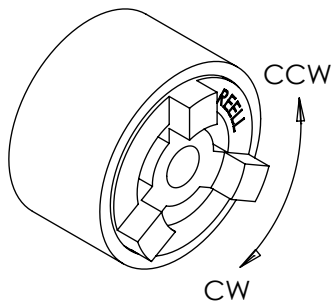
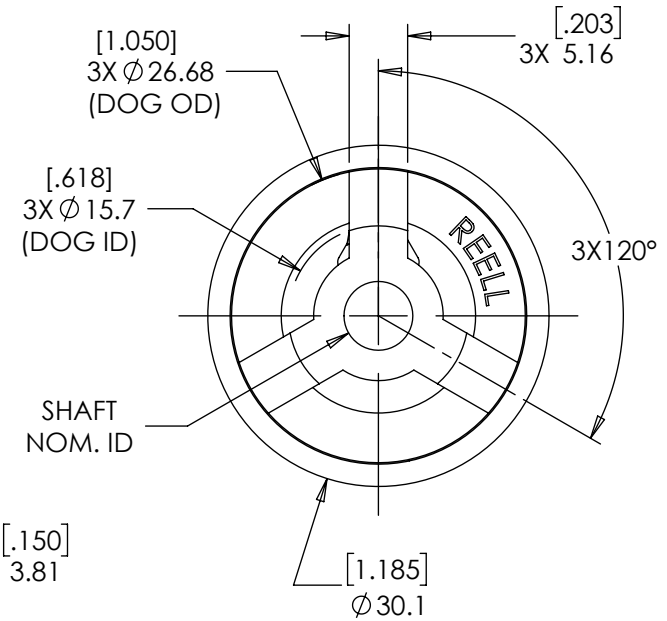
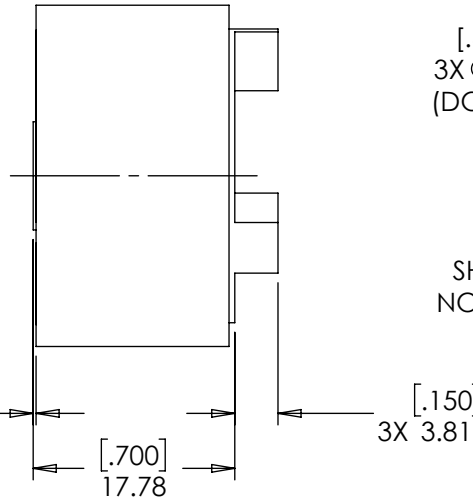
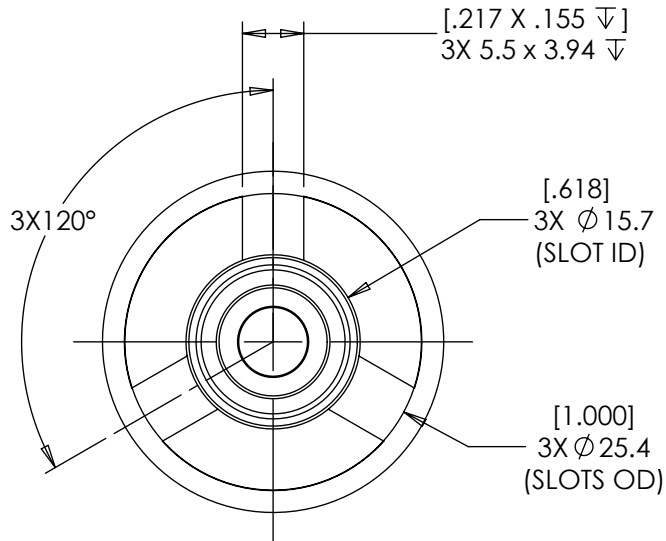
| TORQUE Nm |
|-----------|
| 0.2 |
| 0.4 |
| 0.8 |
| 0.95 |

| DIRECTION |
|-----------|
| CW |
| CCW |

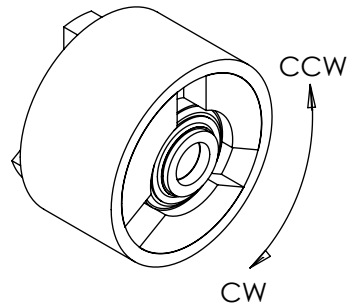
| BORE (SHAFT INTERFACE) |
|------------------------|
| 6mm |
| 1/4 (IN) |
| 8mm |

| SHAFT NOM. ID |
|---------------|
| 6mm |
| 1/4" |
| 8mm |

| DYNAMIC TORQUE |
|-------------------------------------|
| 0.2 ± 0.04 Nm [1.77 ± 0.355 LB-IN] |
| 0.4 ± 0.08 Nm [3.54 ± 0.709 LB-IN] |
| 0.8 ± 0.16 Nm [7.08 ± 1.417 LB-IN] |
| 0.95 ± 0.19 Nm [8.41 ± 1.684 LB-IN] |



SHAFT INPUT



HOUSING INPUT

ALL DIMENSIONS REFERENCE
SEE CAD MODEL FOR
UNSPECIFIED FEATURES

SPECIFICATIONS SUBJECT TO CHANGE

| | | |
|--|----------------------------|--|
| | ECO NO: 07738 | PART LIFECYCLE: RELEASED |
| | APPROVED BY: BOB WAHLSTEDT | DEVELOPMENT CYCLE: PRODUCTION |
| | APPROVED DATE: 13DEC24 | DESCRIPTION: |
| | PROJECT NO: 0 | SALES DRAWING |
| ENGINEER: BOB WAHLSTEDT | | |
| REELL PRECISION MANUFACTURING 1259 WILLOW LAKE BOULEVARD SAINT PAUL, MINNESOTA 55110-5103, USA | DRAWN BY: DERICK OFFOR | PART NO: SA |
| THIS PRINT IS THE CONFIDENTIAL PROPERTY OF REELL PRECISION MFG. | THIRD ANGLE PROJECTION | REV: L |
| INTERPRET PRINT PER ASME Y14.5M-2009 | DIMENSIONS: mm [IN] | SCALE: 1.5:1 DO NOT SCALE DRAWING SHEET 1 OF 1 |