

Date April 9, 2019

RE: Product Change Notification - PHB Positioning Hinges – shaft end change

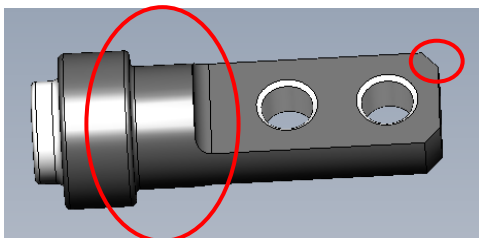
Dear Reell Customer:

As a valued Reell customer, I am informing you of a change to Reell product as detailed in this Product Change Notification (PCN).

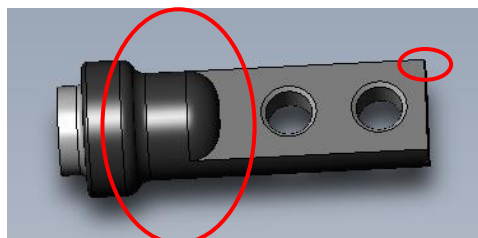
This PCN is to inform you of a dimensional change planned on Reell positioning hinge series listed below. As illustrated in attached drawings, the shaft end geometry will change to improve manufacturability – change from cold headed to machined process of shaft end component. Please refer to attached drawings to determine if this dimensional change may impact your application. While this change does affect form of the shaft end, it is not expected to affect fit or function of the PHB hinge product. Specific change of shaft end geometry is circled in illustrations below. Additionally, sales drawings will be combined and re-arranged to include all PHB hinges in one file (attached). Date of planned change is scheduled within 90 days of this notification.

Affected Reell Part Numbers:

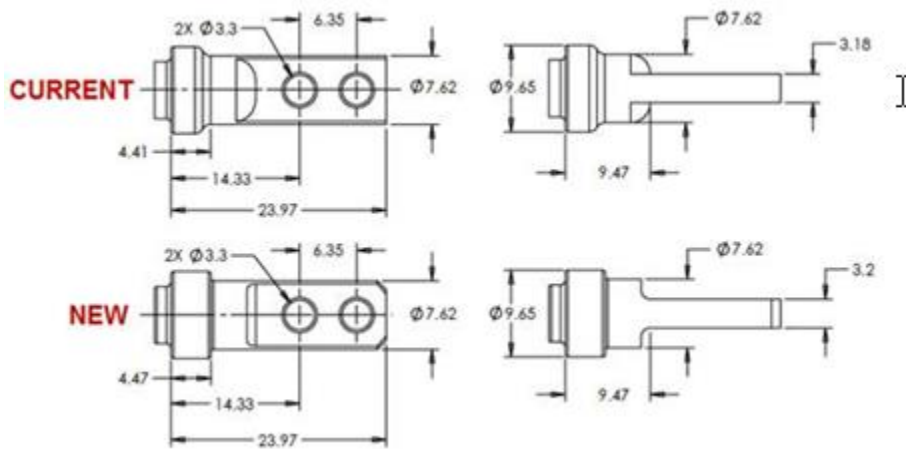
- 26-xxx series PHB positioning hinges
- 27-xxx series PHB positioning hinges
- 29-xxx series PHB positioning hinges
- 33-xxx series PHB positioning hinges
- 34-xxx series PHB positioning hinges
- 36-xxx series PHB positioning hinges



New shaft end profile



Current shaft end profile



Please contact Reell if you have any questions or concerns regarding this PCN.

Sincerely,

John Schannach

John Schannach | O: 651.765.6922 | C: 612.845.2641

Senior Global Product Line Manager

Reell Precision Manufacturing

john.schannach@reell.com