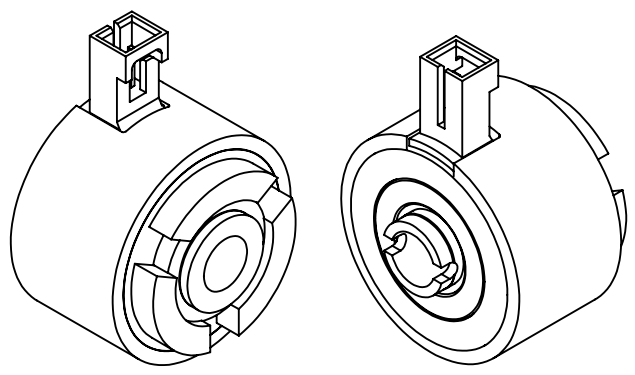
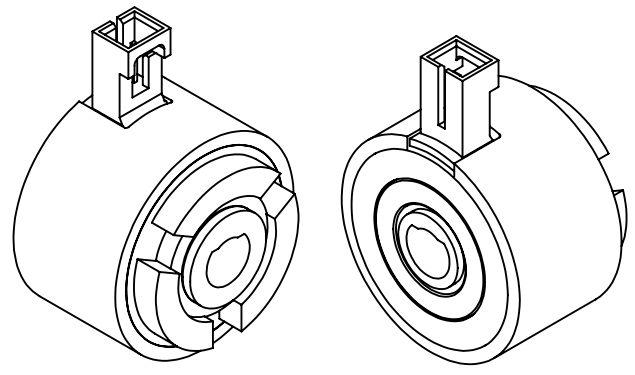


8	7	6	5	4	3	2	1
CURRENTLY AVAILABLE CATALOG OPTIONS							
CATALOG CODE							
EC30XP-CW-8mm-24							
D	EC30XP-CCW-8mm-24						
EC30XP-CW-8mm-12							
EC30XP-CCW-8mm-12							
EC30XP-CW-6mm-24							
EC30XP-CCW-6mm-24							
EC30XP-CW-1/4-24							
EC30XP-CCW-1/4-24							
EC30XP-CW-6mm-12							
EC30XP-CCW-6mm-12							
C	EC30XP-CW-1/4-12						
EC30XP-CCW-1/4-12							
ED30XP-CW-8mm-24							
ED30XP-CCW-8mm-24							
ED30XP-CW-8mm-12							
→	ED30XP-CCW-8mm-12						
ED30XP-CW-6mm-24							
ED30XP-CCW-6mm-24							
ED30XP-CW-1/4-24							
ED30XP-CCW-1/4-24							
B	ED30XP-CW-6mm-12						
ED30XP-CCW-6mm-12							
ED30XP-CW-1/4-12							
ED30XP-CCW-1/4-12							

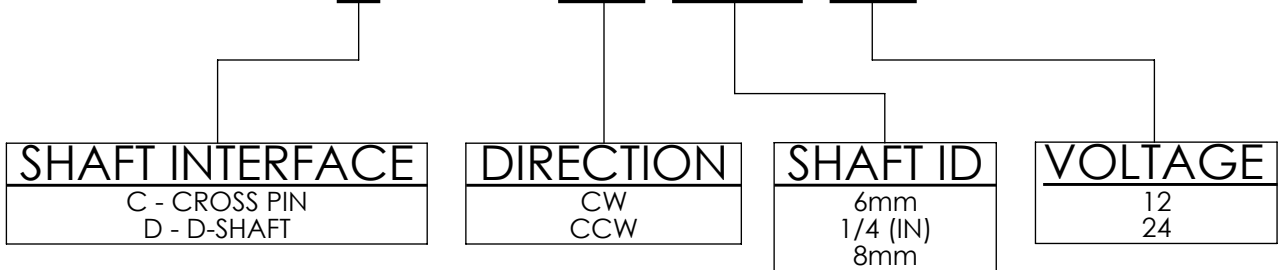


CROSS PIN DESIGN



D-SHAFT DESIGN

# CATALOG CODE EX30XP-XX-XXX-XX



SPECIFICATIONS SUBJECT TO CHANGE

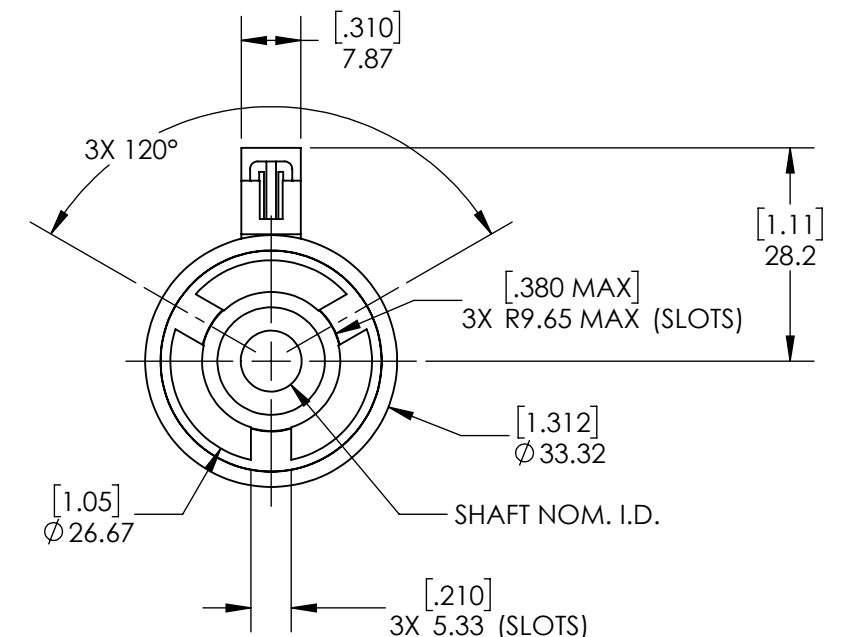
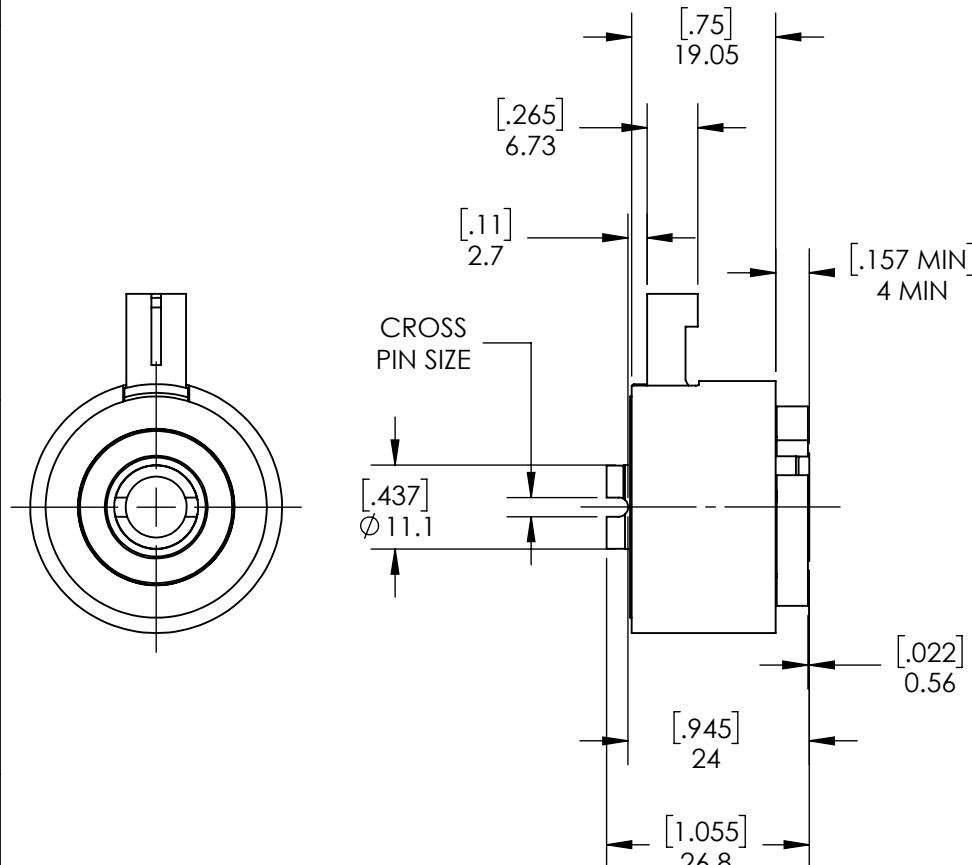
<p>REELL PRECISION MANUFACTURING 1259 WILLOW LAKE BOULEVARD SAINT PAUL, MINNESOTA 55110-5103, USA</p>	ECO NO: 04135	PART LIFECYCLE: RELEASED
	APPROVED BY: BOB WAHLSTEDT	DEVELOPMENT CYCLE: PRODUCTION
	APPROVED DATE: 06OCT21	DESCRIPTION:
	PROJECT NO: 0	<b>SALES DRAWING</b>
ENGINEER: BOB WAHLSTEDT	DRAWN BY: BOB WAHLSTEDT	PART NO: EX30XP
THIS PRINT IS THE CONFIDENTIAL PROPERTY OF REELL PRECISION MFG.	THIRD ANGLE PROJECTION 	REV: K
INTERPRET PRINT PER ASME Y14.5M-2009	DIMENSIONS: mm	SCALE: 1:1 DO NOT SCALE DRAWING SHEET 1 OF 3

REELL RADIAL ELECTRIC CLUTCH

SHAFT NOM. I.D.	CROSS PIN SIZE	ONE MILLION CYCLE TORQUE RATING: 3.4 Nm [30 Lb-in] TOTAL LOAD
6 mm	2.5 mm	
1/4 IN	3/32 IN	CROSS PIN SHAFT 8 mm BORE SHOWN
8 mm	2.5 mm	

NOTES:

- CONNECTOR PINS ARE 0.64 x 0.64 [.025 x .025] SQUARE. THE FOLLOWING MATING CONNECTORS CAN BE USED.  
 TERMINAL: POLARIZED LATCHING CONNECTOR, INSULATION DISPLACEMENT CONTACTS AMP NO. 5-103956-1  
 ALTERNATE TERMINAL: MOLEX NO. 14-60-0022  
 A LEAD SET WITH MATING CONNECTOR AND 380mm [15 INCH] LEADS IS AVAILABLE. REELL CATALOG CODE LS-01-380.
- RESISTANCE: 12 VOLTS 44 OHMS AT 20°C [68°F].  
 24 VOLTS 175 OHMS AT 20°C [68°F].



ALL DIMENSIONS REFERENCE  
SEE CAD MODEL FOR UNSPECIFIED FEATURES

SPECIFICATIONS SUBJECT TO CHANGE

	ECO NO: 04135	PART LIFECYCLE: RELEASED
	APPROVED BY: BOB WAHLSTEDT	DEVELOPMENT CYCLE: PRODUCTION
	APPROVED DATE: 06OCT21	DESCRIPTION:
	PROJECT NO: 0	<b>SALES DRAWING</b>
REELL PRECISION MANUFACTURING 1259 WILLOW LAKE BOULEVARD SAINT PAUL, MINNESOTA 55110-5103, USA	ENGINEER: BOB WAHLSTEDT	PART NO: <b>EX30XP</b>
THIS PRINT IS THE CONFIDENTIAL PROPERTY OF REELL PRECISION MFG.	DRAWN BY: BOB WAHLSTEDT	
INTERPRET PRINT PER ASME Y14.5M-2009	THIRD ANGLE PROJECTION 	REV: <b>K</b>
	DIMENSIONS: mm	SCALE: 1:1 DO NOT SCALE DRAWING

REELL RADIAL ELECTRIC CLUTCH

SHAFT NOM. I.D.	DIM. "B"	RAD. "C"	ONE MILLION CYCLE TORQUE RATING: 3.4 Nm [30 Lb-in] TOTAL LOAD
6 mm	5.01 mm	2.51 mm	D SHAFT 8 mm BORE SHOWN
1/4 IN	.2115 IN	.099 IN	
8 mm	6.64 mm	3.2 mm	

NOTES:

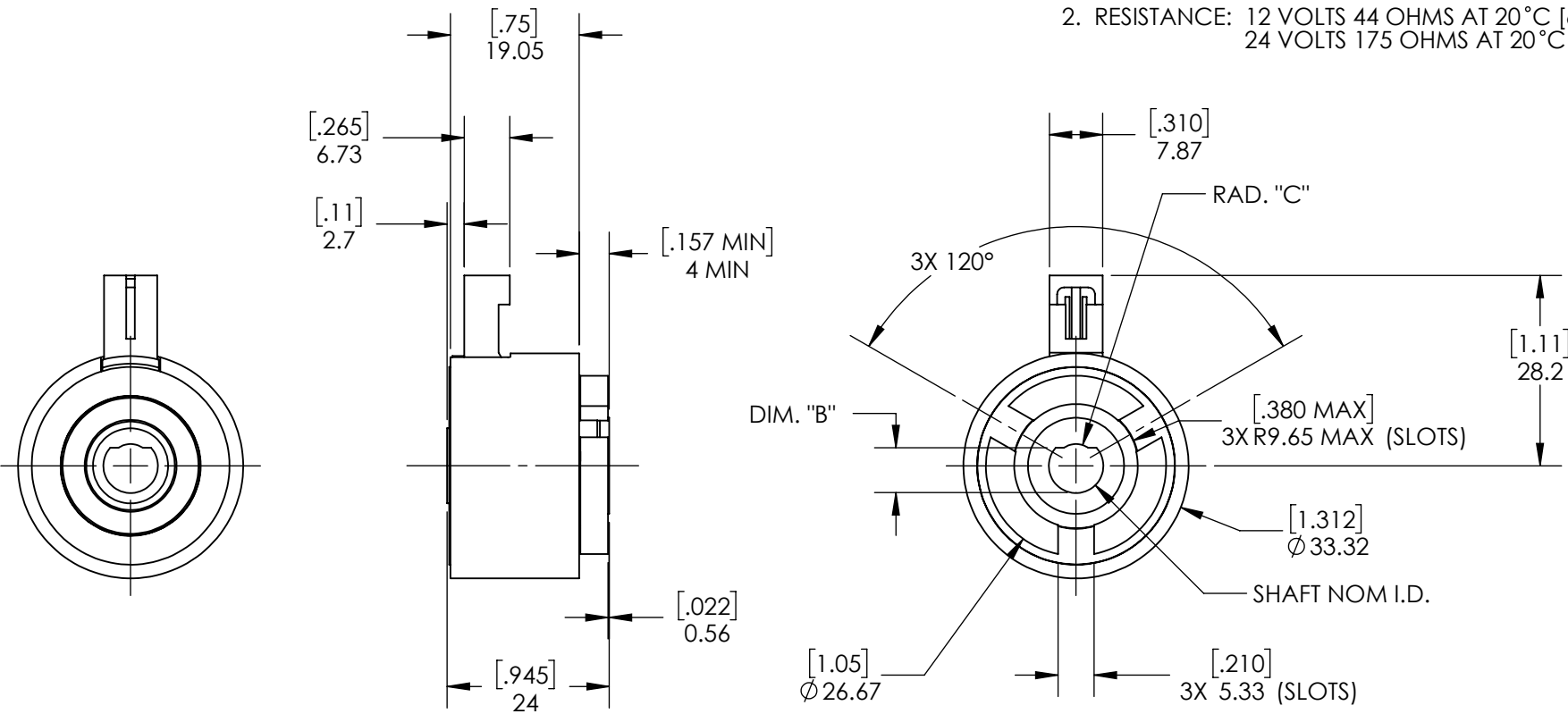
- CONNECTOR PINS ARE 0.64 x 0.64 [.025 x .025] SQUARE. THE FOLLOWING MATING CONNECTORS CAN BE USED.  
 TERMINAL: POLARIZED LATCHING CONNECTOR, INSULATION DISPLACEMENT CONTACTS  
 AMP NO. 5-103956-1  
 ALTERNATE TERMINAL:  
 MOLEX NO. 14-60-0022  
 A LEAD SET WITH MATING CONNECTOR AND 380mm [15 INCH] LEADS IS AVAILABLE. REELL CATALOG CODE LS-01-380.
- RESISTANCE: 12 VOLTS 44 OHMS AT 20°C [68°F].  
 24 VOLTS 175 OHMS AT 20°C [68°F].

D

C

B

A



ALL DIMENSIONS REFERENCE  
SEE CAD MODEL FOR UNSPECIFIED FEATURES

SPECIFICATIONS SUBJECT TO CHANGE

	ECO NO: 04135	PART LIFECYCLE: RELEASED
	APPROVED BY: BOB WAHLSTEDT	DEVELOPMENT CYCLE: PRODUCTION
	APPROVED DATE: 06OCT21	DESCRIPTION:
	PROJECT NO: 0	<b>SALES DRAWING</b>
REELL PRECISION MANUFACTURING 1259 WILLOW LAKE BOULEVARD SAINT PAUL, MINNESOTA 55110-5103, USA	ENGINEER: BOB WAHLSTEDT	PART NO: <b>EX30XP</b>
	DRAWN BY: BOB WAHLSTEDT	
THIS PRINT IS THE CONFIDENTIAL PROPERTY OF REELL PRECISION MFG.	THIRD ANGLE PROJECTION 	REV: <b>K</b>
INTERPRET PRINT PER ASME Y14.5M-2009	DIMENSIONS: mm	SCALE: 1:1 DO NOT SCALE DRAWING SHEET 3 OF 3

D

C

B

A