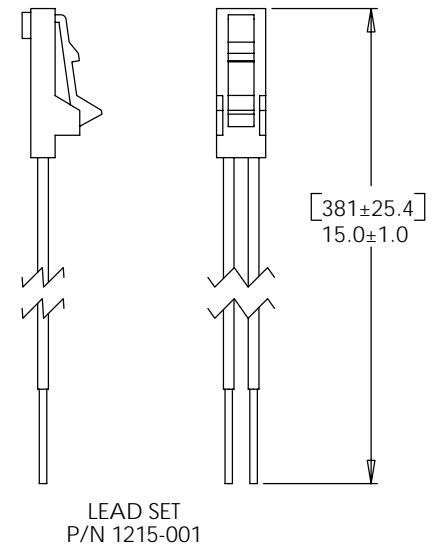
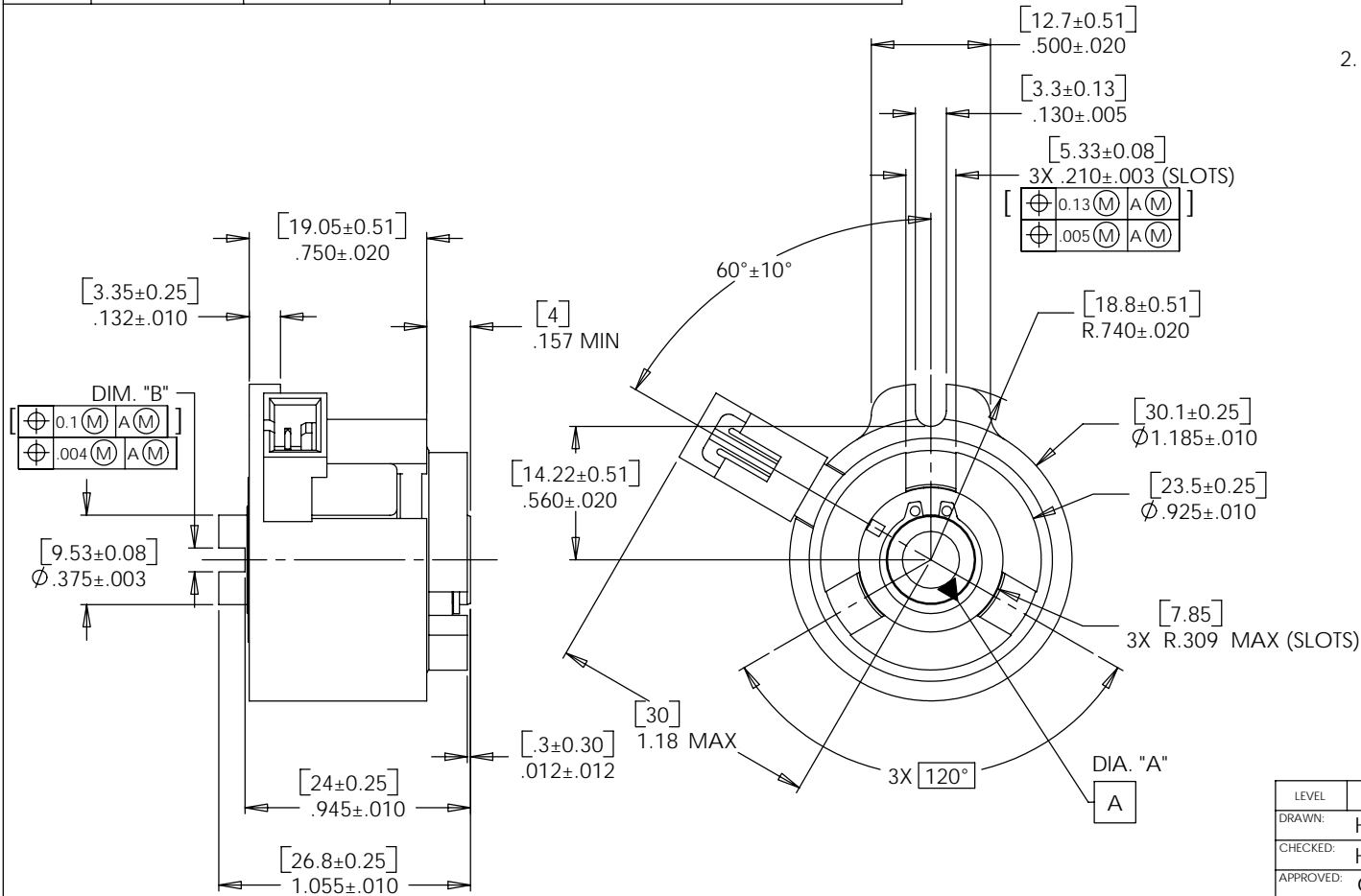


REELL RADIAL ELECTRIC CLUTCH

| SHAFT NOM. | DIA. "A" | DIM. "B" | CROSS PIN SIZE | ONE MILLION CYCLE TORQUE RATING: [2.8 Nm] 25 Lb-in TOTAL LOAD. 6mm BORE SHOWN CROSS PIN SHAFT THREE DOG DRIVE HUB MOLDED COIL CONNECTOR |
|------------|----------------------------|--------------------------|----------------|--|
| 1/4 6mm | .2505/.2530 [6.01/6.08] | .095/.098 [2.53/2.62] | 3/32 [2.5] | |

NOTES:

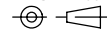
- CONNECTOR PINS ARE [0.64 x 0.64] .025 x .025 SQUARE. THE FOLLOWING MATING CONNECTORS CAN BE USED.
 TERMINAL: POLARIZED LATCHING CONNECTOR, INSULATION DISPLACEMENT CONTACTS
 AMP NO. 5-103956-1
 ALTERNATE TERMINAL:
 MOLEX NO. 14-60-0022
- RESISTANCE: 12 VOLTS 60 OHMS ± 10% AT [20°C] 68°F.
 24 VOLTS 227 OHMS ± 10% AT [20°C] 68°F.



SPECIFICATIONS SUBJECT TO CHANGE

CONSISTENT WITH
ASME Y14.5M-1994
THIS PRINT IS THE
CONFIDENTIAL PROPERTY
OF REELL PRECISION MFG.

THIRD ANGLE PROJECTION



| LEVEL | DESCRIPTION | | DRAWN | DATE | APPROVED |
|--|-------------|----------------|---|--------------|----------|
| DRAWN: | HMA | DATE: 11-10-86 | PART NO: 70-XXX | | |
| CHECKED: | HMA | DATE: 9-10-87 | TITLE: HIGH PERFORMANCE CLUTCH ASSEMBLY | | |
| APPROVED: | GDL | DATE: 9-11-87 | DESCRIPTION: EC25 | | |
| REVISED: | 2-7-06 | DIMS: [mm]IN | REV: N | | |
| REELL PRECISION MANUFACTURING 1259 WILLOW LAKE BOULEVARD SAINT PAUL, MINNESOTA 55110-5103, USA | | SCALE: 2:1 | DO NOT SCALE DRAWING | SHEET 1 OF 1 | |