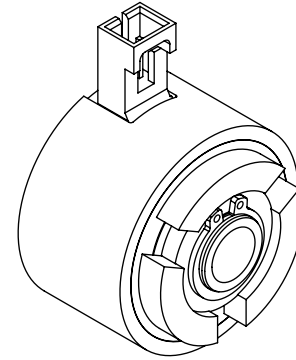
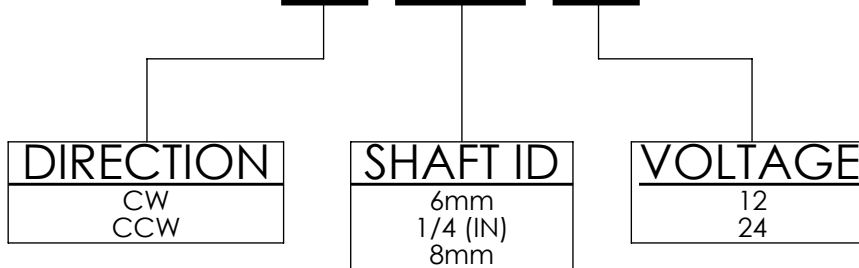


CURRENTLY AVAILABLE CATALOG OPTIONS
CATALOG CODE
EC30LL-CW-8mm-24
EC30LL-CCW-8mm-24
EC30LL-CW-8mm-12
EC30LL-CCW-8mm-12
EC30LL-CW-6mm-24
EC30LL-CCW-6mm-24
EC30LL-CW-1/4-24
EC30LL-CCW-1/4-24
EC30LL-CW-1/4-12
EC30LL-CCW-1/4-12



# CATALOG CODE EC30LL-XX-XXX-XX



SPECIFICATIONS SUBJECT TO CHANGE

INTERPRET PRINT PER  
ASME Y14.5M-1994  
THIS PRINT IS THE  
CONFIDENTIAL PROPERTY  
OF REELL PRECISION MFG.  
THIRD ANGLE PROJECTION

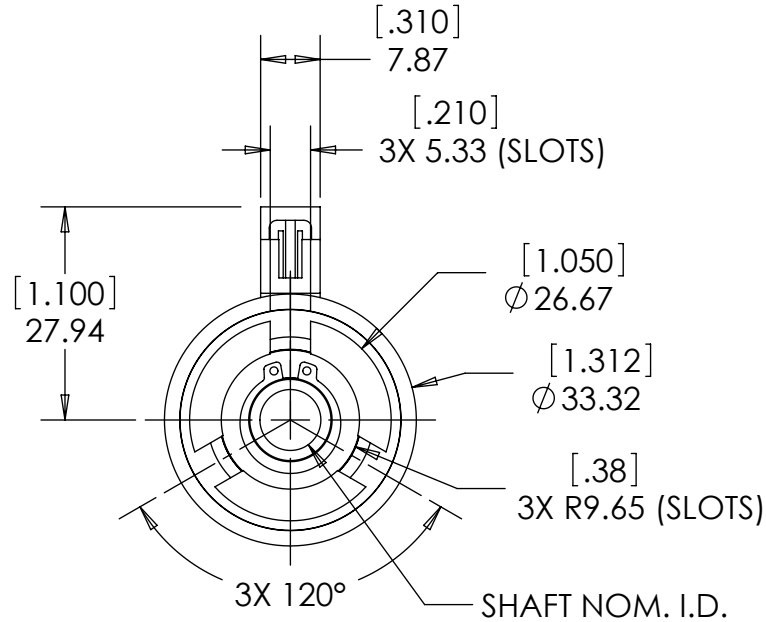
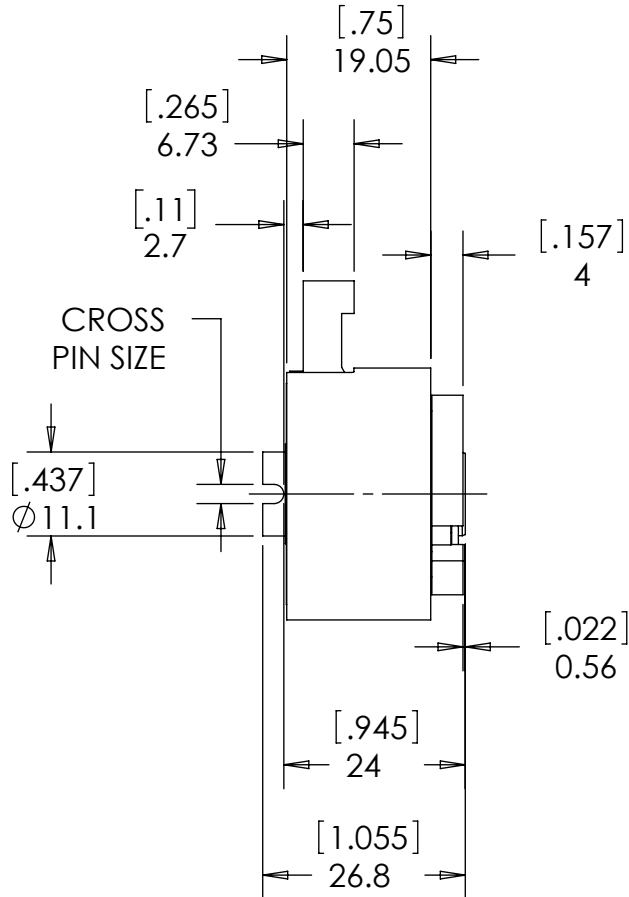
LEVEL	DESCRIPTION	DRAWN	DATE	APPROVED								
DRAWN: LIM	DATE: 02-05-01	<table border="1"> <tr><td colspan="2">TITLE: <b>SALES DRAWING</b></td></tr> <tr> <td>DESCRIPTION: EC30LL</td> <td>REV: F</td> </tr> <tr> <td>SCALE: 1:1</td> <td>DO NOT SCALE DRAWING</td> </tr> <tr> <td colspan="2">SHEET 1 OF 2</td> </tr> </table>			TITLE: <b>SALES DRAWING</b>		DESCRIPTION: EC30LL	REV: F	SCALE: 1:1	DO NOT SCALE DRAWING	SHEET 1 OF 2	
TITLE: <b>SALES DRAWING</b>												
DESCRIPTION: EC30LL	REV: F											
SCALE: 1:1	DO NOT SCALE DRAWING											
SHEET 1 OF 2												
CHECKED: RGW	DATE: 03-30-01											
APPROVED: RGW	DATE: 03-30-01											
REVISED: 06-08-20	DIMS: [IN]mm											
		<p>REELL PRECISION MANUFACTURING 1259 WILLOW LAKE BOULEVARD SAINT PAUL, MINNESOTA 55110-5103, USA</p>										

REELL RADIAL ELECTRIC CLUTCH

SHAFT NOM. I.D.	CROSS PIN SIZE	ONE MILLION CYCLE TORQUE RATING: [30lb-in] 3.45 Nm TOTAL LOAD.
6mm	2.5 mm	8mm BORE SHOWN
1/4 IN	3/32 IN	
8mm	2.5 mm	

NOTES:

- CONNECTOR PINS ARE [.025 x .025] 0.64 x 0.64 SQUARE. THE FOLLOWING MATING CONNECTORS CAN BE USED.  
 TERMINAL: POLARIZED LATCHING CONNECTOR, INSULATION DISPLACEMENT CONTACTS AMP NO. 5-103956-1  
 ALTERNATE TERMINAL: MOLEX NO. 14-60-0022  
 A LEAD SET WITH MATING CONNECTOR AND [15 INCH] 380mm LEADS IS AVAILABLE. REELL CATALOG CODE LS-01-380.
- RESISTANCE: 12 VOLTS 44 OHMS AT [68°F] 20°C.  
 24 VOLTS 175 OHMS AT [68°F] 20°C.



ALL DIMENSIONS REFERENCE  
SEE CAD MODEL FOR UNSPECIFIED FEATURES.

SPECIFICATIONS SUBJECT TO CHANGE

INTERPRET PRINT PER  
ASME Y14.5M-1994  
THIS PRINT IS THE  
CONFIDENTIAL PROPERTY  
OF REELL PRECISION MFG.  
THIRD ANGLE PROJECTION

LEVEL	DESCRIPTION		DRAWN	DATE	APPROVED
DRAWN:	LIM	DATE:	02-05-01		
CHECKED:	RGW	DATE:	03-30-01		
APPROVED:	RGW	DATE:	03-30-01	TITLE:	
REVISED:	06-08-20	DIMS:	[IN]mm	SALES DRAWING	
REELL PRECISION MANUFACTURING 1259 WILLOW LAKE BOULEVARD SAINT PAUL, MINNESOTA 55110-5103, USA			DESCRIPTION: EC30LL		REV: F
SCALE: 1:1		DO NOT SCALE DRAWING		SHEET 2 OF 2	