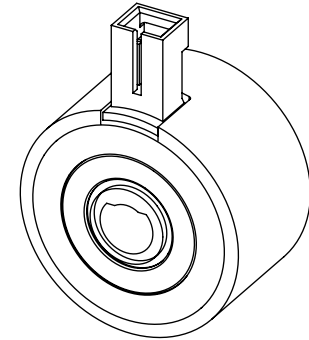
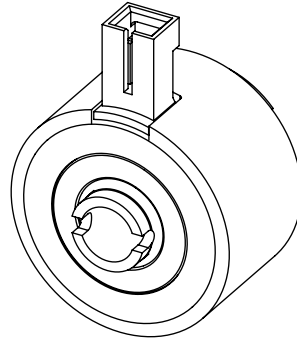
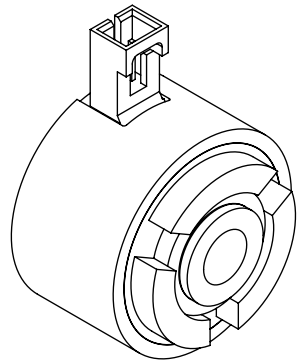


CURRENTLY AVAILABLE CATALOG OPTIONS	
CATALOG CODE	
EC30XP-CW-8mm-24	
EC30XP-CCW-8mm-24	
EC30XP-CW-8mm-12	
EC30XP-CCW-8mm-12	
EC30XP-CW-6mm-24	
EC30XP-CCW-6mm-24	
EC30XP-CW-1/4-24	
EC30XP-CCW-1/4-24	
EC30XP-CW-6mm-12	
EC30XP-CCW-6mm-12	
EC30XP-CW-1/4-12	
EC30XP-CCW-1/4-12	
ED30XP-CW-8mm-24	
ED30XP-CCW-8mm-24	
ED30XP-CW-8mm-12	
ED30XP-CCW-8mm-12	
ED30XP-CW-6mm-24	
ED30XP-CCW-6mm-24	
ED30XP-CW-1/4-24	
ED30XP-CCW-1/4-24	
ED30XP-CW-6mm-12	
ED30XP-CCW-6mm-12	
ED30XP-CW-1/4-12	
ED30XP-CCW-1/4-12	



CROSS PIN DESIGN

D-SHAFT DESIGN

CATALOG CODE EX30XP-XX-XXX-XX

SHAFT INTERFACE
C - CROSS PIN
D - D-SHAFT

DIRECTION
CW
CCW

SHAFT ID
6mm
1/4 (IN)
8mm

VOLTAGE
12
24

SPECIFICATIONS SUBJECT TO CHANGE

INTERPRET PRINT PER
ASME Y14.5M-1994
THIS PRINT IS THE
CONFIDENTIAL PROPERTY
OF REELL PRECISION MFG.
THIRD ANGLE PROJECTION

LEVEL	DESCRIPTION	DRAWN	DATE	APPROVED
DRAWN:	DDF	DATE:	02-16-86	
CHECKED:	DDF	DATE:	07-24-86	
APPROVED:	GDL	DATE:	07-24-86	
REVISED:	06-11-20	DIMS:	[IN]mm	
<p style="text-align: center;">REELL</p> <p>REELL PRECISION MANUFACTURING 1259 WILLOW LAKE BOULEVARD SAINT PAUL, MINNESOTA 55110-5103, USA</p>				TITLE:
				SALES DRAWING
DESCRIPTION:			EX30XP	REV: J
SCALE: 1:1	DO NOT SCALE DRAWING	SHEET 1 OF 3		

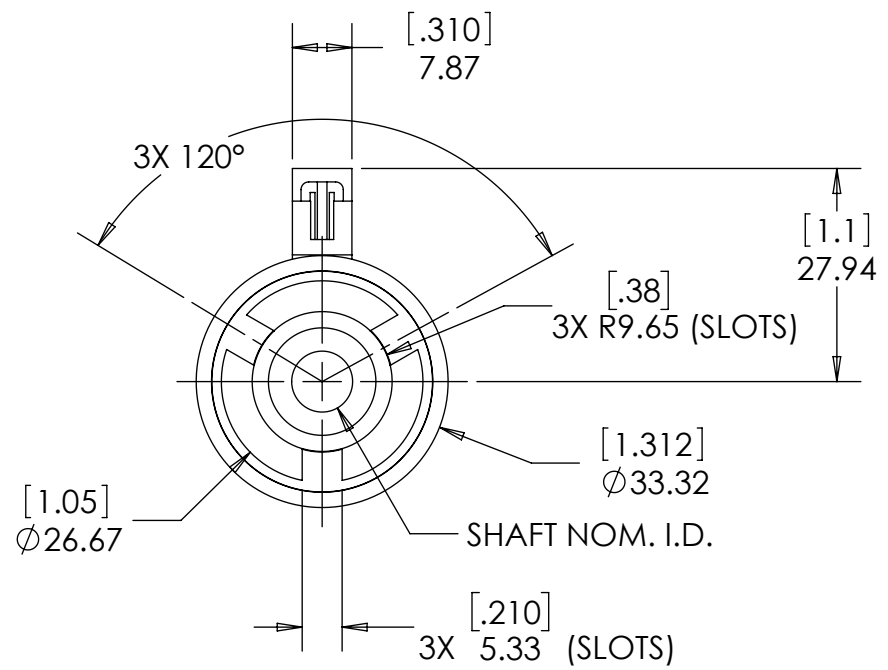
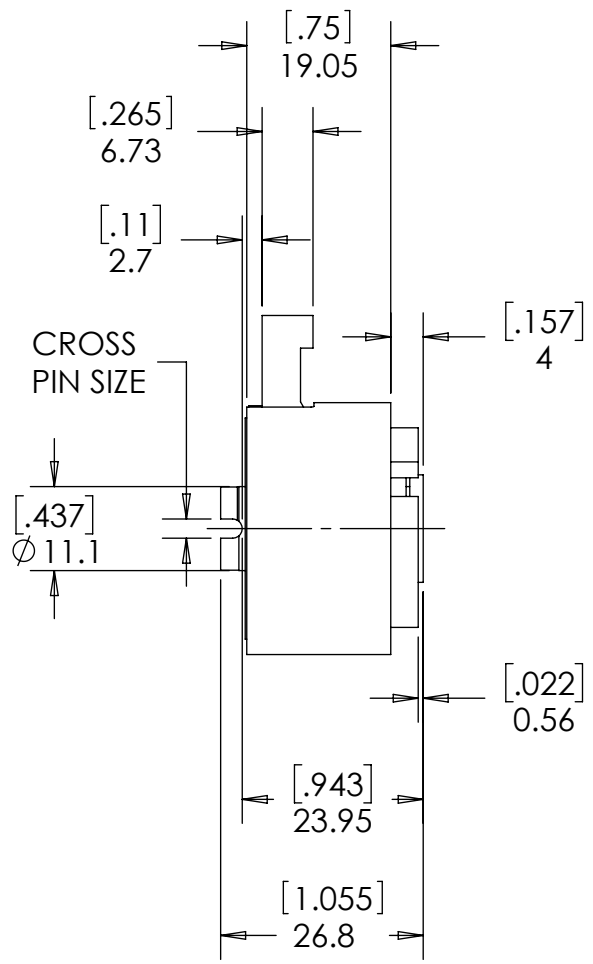
REELL RADIAL ELECTRIC CLUTCH

SHAFT NOM. I.D.	CROSS PIN SIZE	ONE MILLION CYCLE TORQUE RATING: [30 Lb-in] 3.45 Nm TOTAL LOAD.
6mm	2.5 mm	CROSS PIN SHAFT 8mm BORE SHOWN
1/4 IN	3/32 IN	
8mm	2.5 mm	

NOTES:

- CONNECTOR PINS ARE [.025 x .025] 0.64 x 0.64 SQUARE. THE FOLLOWING MATING CONNECTORS CAN BE USED.
 TERMINAL: POLARIZED LATCHING CONNECTOR, INSULATION DISPLACEMENT CONTACTS
 AMP NO. 5-103956-1
 ALTERNATE TERMINAL:
 MOLEX NO. 14-60-0022
 A LEAD SET WITH MATING CONNECTOR AND [15 INCH] 380mm LEADS IS AVAILABLE. REELL CATALOG CODE LS-01-380.
- RESISTANCE: 12 VOLTS 44 OHMS AT [68°F] 20°C.
 24 VOLTS 175 OHMS AT [68°F] 20°C.

D
C
B
A



ALL DIMENSIONS REFERENCE
SEE CAD MODEL FOR UNSPECIFIED FEATURES.

SPECIFICATIONS SUBJECT TO CHANGE

INTERPRET PRINT PER
ASME Y14.5M-1994
THIS PRINT IS THE
CONFIDENTIAL PROPERTY
OF REELL PRECISION MFG.
THIRD ANGLE PROJECTION

LEVEL	DESCRIPTION	DRAWN	DATE	APPROVED
DRAWN:	DDF	DATE:	02-16-86	
CHECKED:	DDF	DATE:	07-24-86	
APPROVED:	GDL	DATE:	07-24-86	
REVISED:	06-11-20	DIMS:	[IN]mm	
<p>REELL</p> <p>REELL PRECISION MANUFACTURING 1259 WILLOW LAKE BOULEVARD SAINT PAUL, MINNESOTA 55110-5103, USA</p>				TITLE:
				<p>SALES DRAWING</p>
DESCRIPTION:			EX30XP	REV: J
SCALE: 1:1	DO NOT SCALE DRAWING	SHEET 2 OF 3		

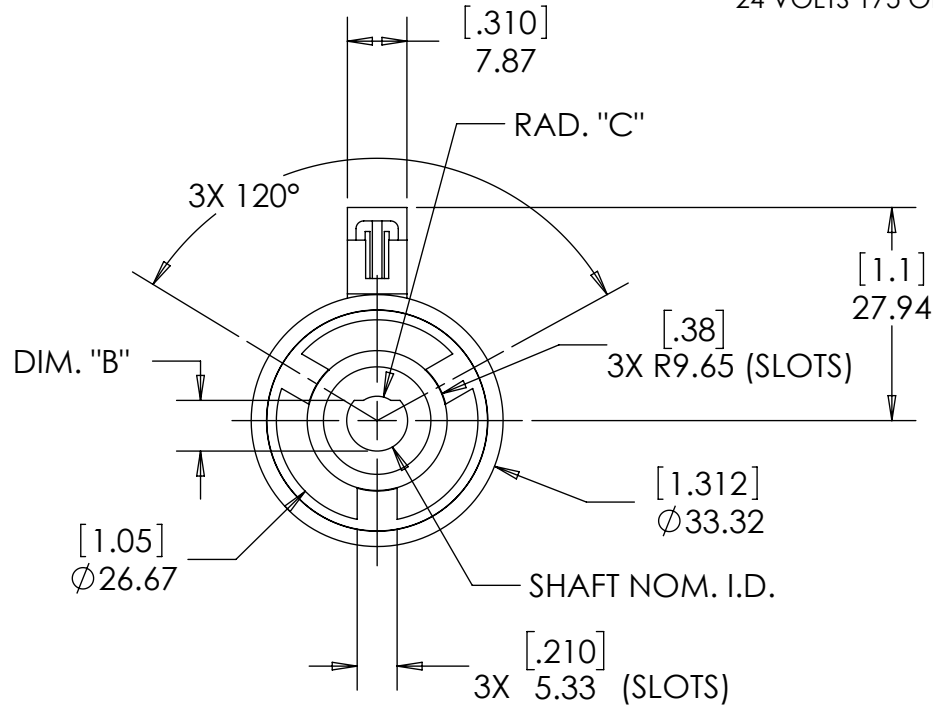
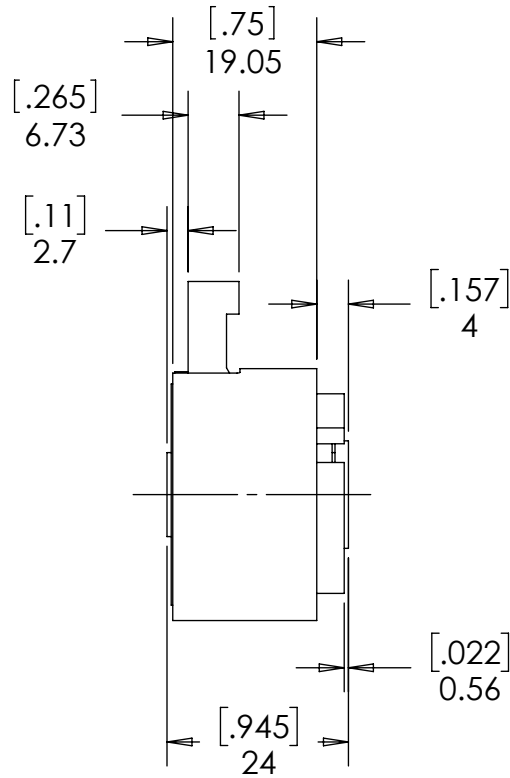
8 7 6 5 4 3 2 1

REELL RADIAL ELECTRIC CLUTCH

SHAFT NOM. I.D.	DIM. "B"	RAD. "C"	ONE MILLION CYCLE TORQUE RATING: [30 Lb-in] 3.45 Nm TOTAL LOAD. D-SHAFT 8mm BORE SHOWN
6mm	5.01 mm	2.51 mm	
1/4 IN	.2115 IN	.099 IN	
8mm	6.64 mm	3.2 mm	

NOTES:

- CONNECTOR PINS ARE [.025 x .025] 0.64 x 0.64 SQUARE. THE FOLLOWING MATING CONNECTORS CAN BE USED.
 TERMINAL: POLARIZED LATCHING CONNECTOR, INSULATION DISPLACEMENT CONTACTS
 AMP NO. 5-103956-1
 ALTERNATE TERMINAL:
 MOLEX NO. 14-60-0022
 A LEAD SET WITH MATING CONNECTOR AND [15 INCH] 380mm LEADS IS AVAILABLE. REELL CATALOG CODE LS-01-380.
- RESISTANCE: 12 VOLTS 44 OHMS AT [68°F] 20°C.
 24 VOLTS 175 OHMS AT [68°F] 20°C.

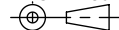


ALL DIMENSIONS REFERENCE
SEE CAD MODEL FOR UNSPECIFIED FEATURES.

SPECIFICATIONS SUBJECT TO CHANGE

INTERPRET PRINT PER
ASME Y14.5M-1994
THIS PRINT IS THE
CONFIDENTIAL PROPERTY
OF REELL PRECISION MFG.

THIRD ANGLE PROJECTION



LEVEL	DESCRIPTION		DRAWN	DATE	APPROVED
DRAWN:	DDF	DATE:	02-16-86		
CHECKED:	DDF	DATE:	07-24-86		
APPROVED:	GDL	DATE:	07-24-86	TITLE:	
REVISED:	06-11-20	DIMS:	[IN]mm	SALES DRAWING	
			DESCRIPTION:		REV:
			EX30XP		J
SCALE: 1:1		DO NOT SCALE DRAWING		SHEET 3 OF 3	



REELL PRECISION MANUFACTURING
1259 WILLOW LAKE BOULEVARD
SAINT PAUL, MINNESOTA 55110-5103, USA