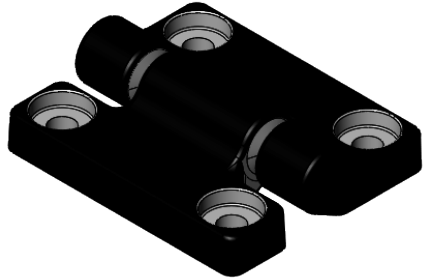



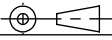
CATALOG CODE MH-12-X.X

TORQUE N-m	
	0.4
	0.8
	1.2
	1.6



- NOTES:
1. USER MUST DETERMINE FITNESS FOR USE IN APPLICATION.
 2. LIFE: 25,000 CYCLES.
ONE CYCLE = 180° OPEN/180° CLOSED.
FIVE(5) CYCLES PER MINUTE MAX.
 3. MATERIAL:
BRACKET AND SHAFT END ARE ENGINEERED PLASTIC
SHAFT AND TORQUE ELEMENT ARE HARDENED STEEL
 - [4] DESIGNED TO ACCEPT M4 OR #8 BUTTON HEAD SCREW OR EQUIVALENT.
 - [5] BRACKETS TO BE ORIENTED $\pm 5^\circ$ WITH RESPECT TO EACH OTHER AS SHOWN.
 6. TOTAL TRAVEL 270°.
 7. STATIC TORQUE IS NORMALLY WITHIN 10% OF DYNAMIC TORQUE.

SPECIFICATIONS SUBJECT TO CHANGE

	ECO NO: 04391	PART LIFECYCLE: RELEASED		
	APPROVED BY: NOAH RYAN	DEVELOPMENT CYCLE: PRODUCTION		
	APPROVED DATE: 07 JAN 22	DESCRIPTION: SALES DRAWING		
	PROJECT NO: 100248			
REELL PRECISION MANUFACTURING 1259 WILLOW LAKE BOULEVARD SAINT PAUL, MINNESOTA 55110-5103, USA	ENGINEER:	PART NO: MH-12		
THIS PRINT IS THE CONFIDENTIAL PROPERTY OF REELL PRECISION MFG.	DRAWN BY: NOAH RYAN			REV: L
INTERPRET PRINT PER ASME Y14.5M-2009	THIRD ANGLE PROJECTION 	SCALE: 1:1	DO NOT SCALE DRAWING	SHEET 1 OF 2

CATALOG CODE	DYNAMIC TORQUE Nm
MH-12-0.4	0.4 ± 0.14
MH-12-0.8	0.8 ± 0.20
MH-12-1.2	1.2 ± 0.24
MH-12-1.6	1.6 ± 0.32

ALL DIMENSIONS REFERENCE
SEE CAD MODEL FOR UNSPECIFIED FEATURES.

D

C

B

A

D

C

B

A

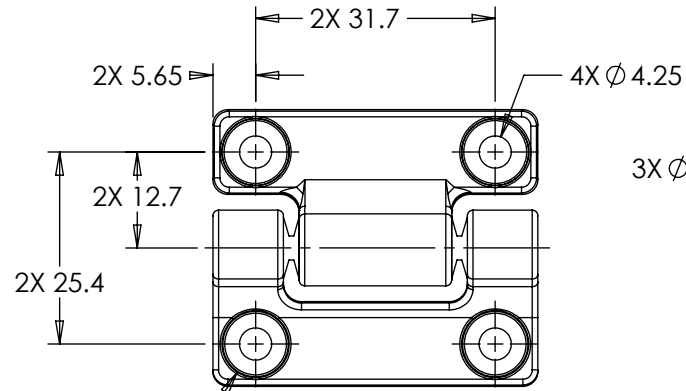
FOR M4 OR #8 SCREWS

CUSTOMER MOUNTING CONFIGURATION

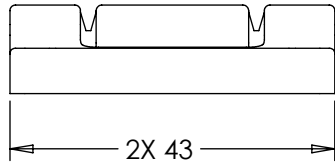
DETERMINE MINIMUM
DISTANCE BASED ON PLATE
THICKNESS AND DESIRED
ANGLE OF ROTATION

2X 25.4±0.15

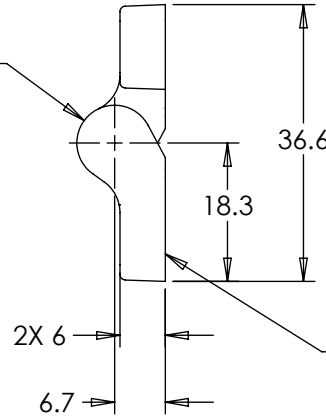
2X 31.75±0.15



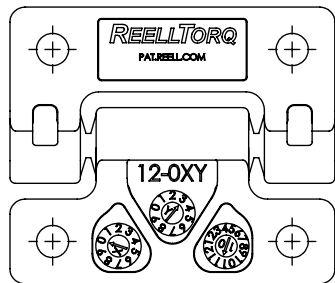
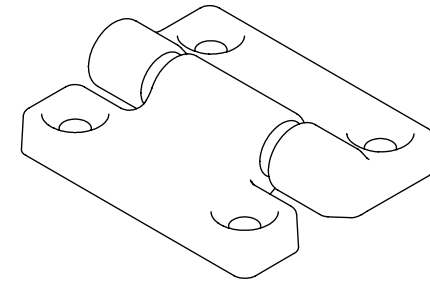
4X Ø 8.9
SEE NOTE [4]



3X Ø 10



SEE NOTE [5]



SPECIFICATIONS SUBJECT TO CHANGE

	ECO NO: 04391	PART LIFECYCLE: RELEASED	
	APPROVED BY: NOAH RYAN	DEVELOPMENT CYCLE: PRODUCTION	
	APPROVED DATE: 07 JAN 22	DESCRIPTION:	
	PROJECT NO: 100248	<h1>SALES DRAWING</h1>	
ENGINEER:	PART NO: MH-12		
REELL PRECISION MANUFACTURING 1259 WILLOW LAKE BOULEVARD SAINT PAUL, MINNESOTA 55110-5103, USA	DRAWN BY: NOAH RYAN	SCALE: 1:1 DO NOT SCALE DRAWING	
THIS PRINT IS THE CONFIDENTIAL PROPERTY OF REELL PRECISION MFG.	THIRD ANGLE PROJECTION 	SHEET 2 OF 2	
INTERPRET PRINT PER ASME Y14.5M-2009	DIMENSIONS: mm		

8 7 6 5 4 3 2 1