

CATALOG CODE

PHB-X.XX-XX-XX-XX

TORQUE Nm
0.44
0.78
1.22
1.57
2.01
2.35
2.79

HINGE TYPE
01 - LEFT
02 - RIGHT
03 - DUAL

MOUNTING TYPE
01 - THROUGH
02 - COUNTERSINK

FINISH
01 - PLAIN
02 - BLACK

DYNAMIC TORQUE	
NOMINAL (Nm)	TOLERANCE
0.44	±30%
0.78	±25%
1.22	±25%
1.57	±20%
2.01	±20%
2.35	±20%
2.79	±20%

PRODUCT TORQUE SPECIFICATION AT +20 °C.


NOTES:

1. USER MUST DETERMINE FITNESS FOR USE IN APPLICATION.
2. LIFE: 50,000 CYCLES WHEN DUTY CYCLE IS LESS THAN 10% AND ROTATIONAL SPEED IS LESS THAN 100 RPM. 30 SECONDS MAXIMUM CONTINUOUS ACTUATION.
3. DESIGNED TO ACCEPT M4 (BRACKET) AND M3 (SHAFT END) SCREWS.
4. SHAFT END FLATS ON DUAL OPTION TO BE ORIENTED $\pm 5^\circ$ WITH RESPECT TO EACH OTHER.
5. MATERIAL:
 ZINC BRACKET
 LOW CARBON STEEL WITH ZINC PLATE
 SHAFT END
 HARDENED STEEL SHAFT
 HARDENED STEEL TORQUE ELEMENT

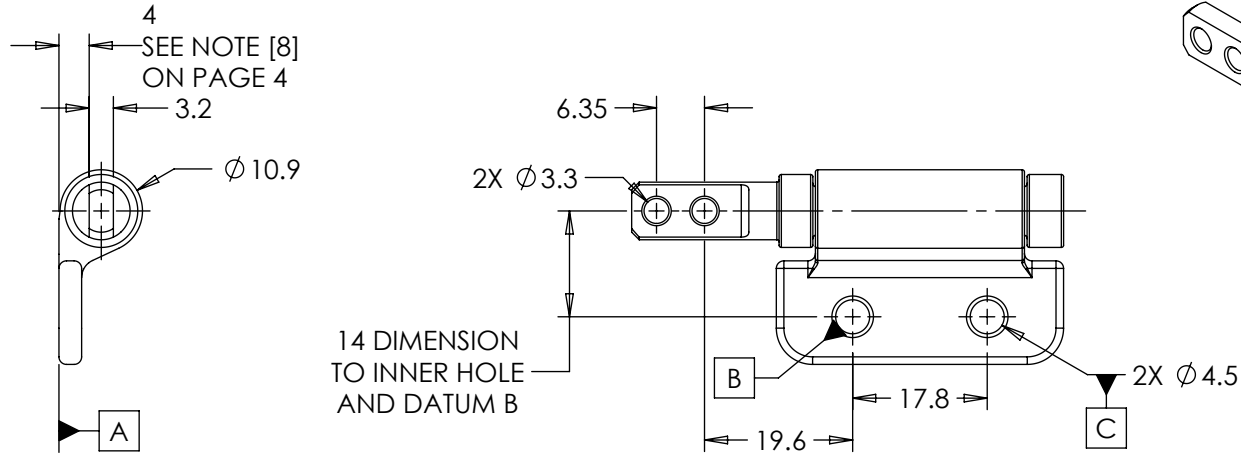
INTERPRET PRINT PER
 ASME Y14.5M-1994
 THIS PRINT IS THE
 CONFIDENTIAL PROPERTY
 OF REELL PRECISION MFG.

THIRD ANGLE PROJECTION



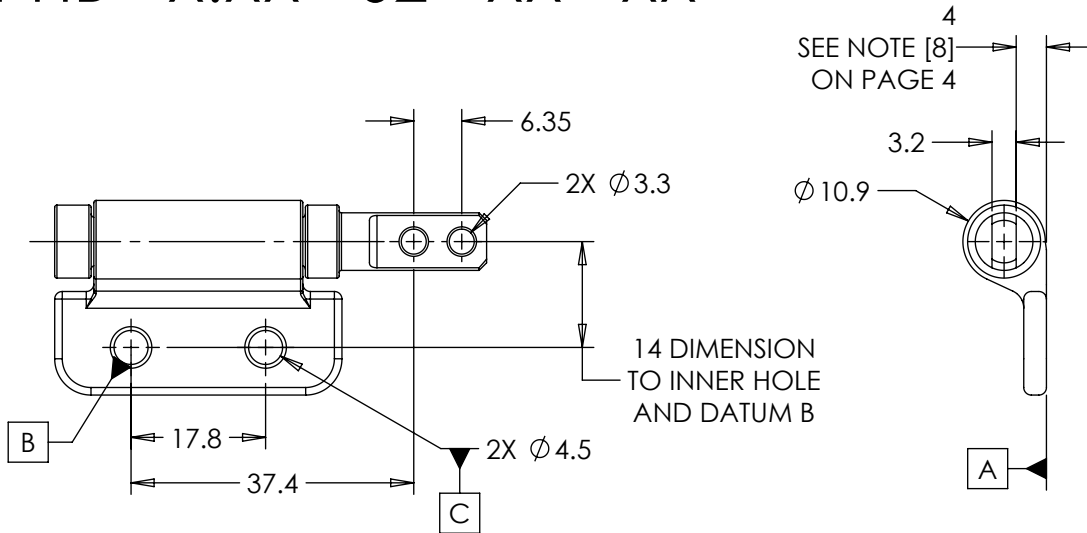
LEVEL	ECO - DESCRIPTION		DRAWN	DATE	APPROVED
DRAWN:	LIM	DATE: 7-3-01	REFERENCE:		
CHECKED:	TWJ	DATE: 8-30-01	TITLE:		
APPROVED:	TWJ	DATE: 8-30-01	SALES DRAWING		
REVISED:	5-5-20	DIMS: mm	PART NO:		REV:
 REELL PRECISION MANUFACTURING 1259 WILLOW LAKE BOULEVARD SAINT PAUL, MINNESOTA 55110-5103, USA			PHB		N
			SCALE: 1:1	DO NOT SCALE DRAWING	SHEET 1 OF 4

PHB - X.XX - 01 - XX - XX



DIMENSIONS APPLY TO COUNTERSINK AND STANDARD HOLE OPTIONS

PHB - X.XX - 02 - XX - XX

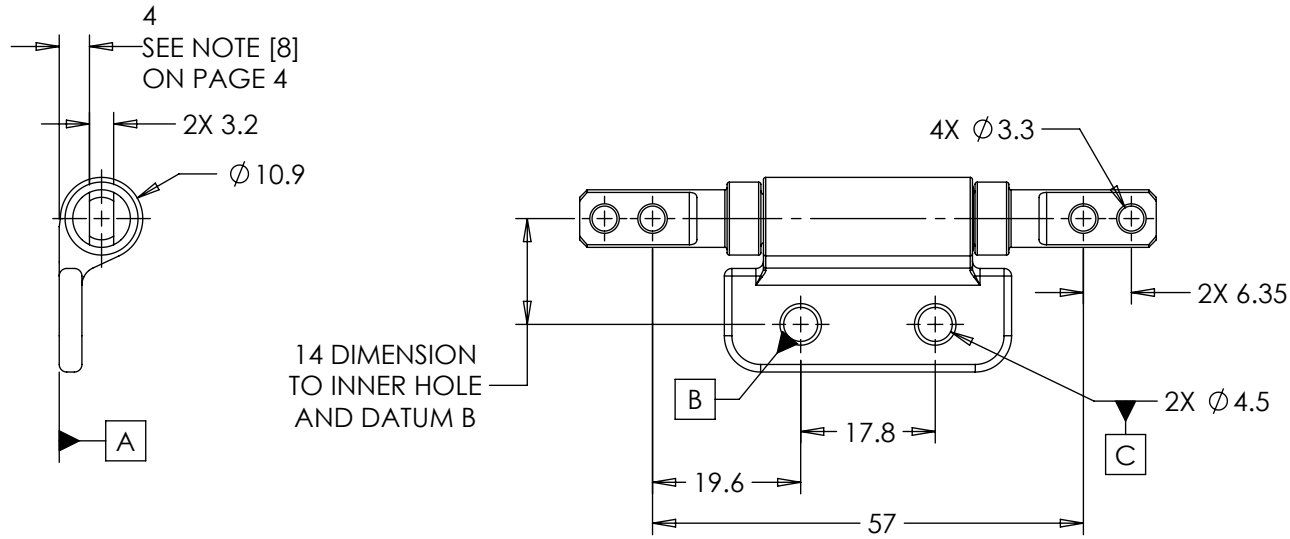


LEVEL	ECO - DESCRIPTION		DRAWN	DATE	APPROVED
DRAWN:	LIM	DATE: 7-3-01	REFERENCE:		
CHECKED:	TWJ	DATE: 8-30-01	TITLE:		
APPROVED:	TWJ	DATE: 8-30-01	SALES DRAWING		
REVISED:	5-5-20	DIMS: mm			
REELL REELL PRECISION MANUFACTURING 1259 WILLOW LAKE BOULEVARD SAINT PAUL, MINNESOTA 55110-5103, USA			PART NO:	PHB	REV: N
			SCALE: 1:1	DO NOT SCALE DRAWING	SHEET 2 OF 4

INTERPRET PRINT PER ASME Y14.5M-1994
 THIS PRINT IS THE CONFIDENTIAL PROPERTY OF REELL PRECISION MFG.
 THIRD ANGLE PROJECTION

SPECIFICATION SUBJECT TO CHANGE

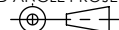
PHB - X.XX - 03 - XX - XX



*DIMENSIONS APPLY TO COUNTERSINK
AND STANDARD HOLE OPTIONS*

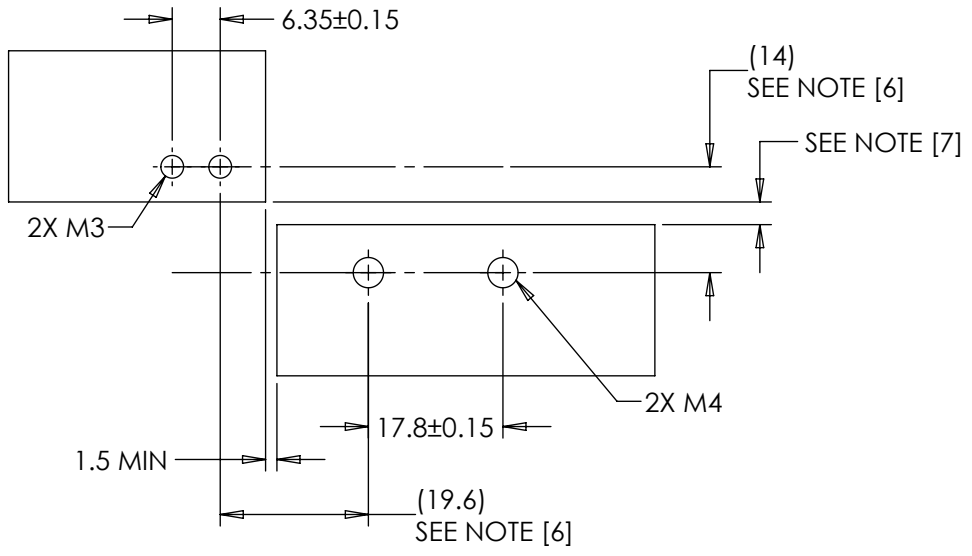
SPECIFICATION SUBJECT TO CHANGE

INTERPRET PRINT PER
ASME Y14.5M-1994
THIS PRINT IS THE
CONFIDENTIAL PROPERTY
OF REELL PRECISION MFG.
THIRD ANGLE PROJECTION



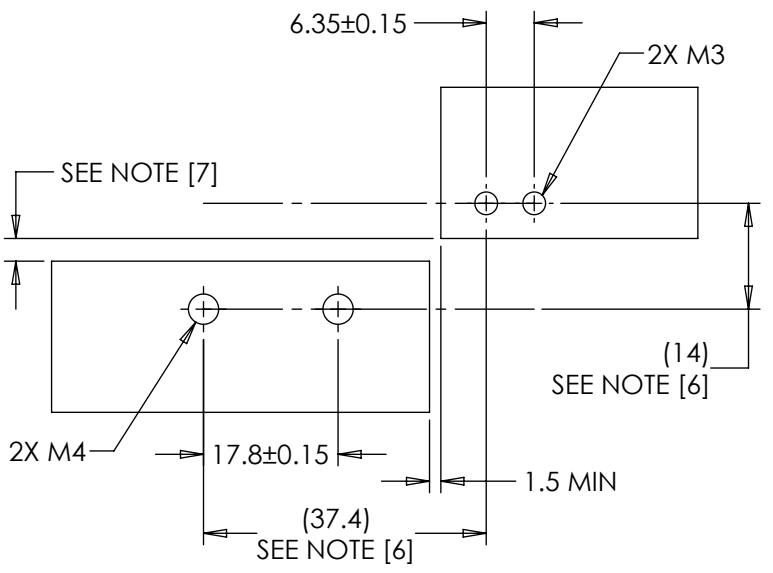
LEVEL	ECO - DESCRIPTION		DRAWN	DATE	APPROVED
DRAWN:	LIM	DATE: 7-3-01	REFERENCE:		
CHECKED:	TWJ	DATE: 8-30-01	TITLE:		
APPROVED:	TWJ	DATE: 8-30-01	SALES DRAWING		
REVISED:	5-5-20	DIMS: mm			
REELL PRECISION MANUFACTURING 1259 WILLOW LAKE BOULEVARD SAINT PAUL, MINNESOTA 55110-5103, USA			PART NO: PHB		REV: N
SCALE: 1:1		DO NOT SCALE DRAWING		SHEET 3 OF 4	

MOUNTING CONFIGURATION FOR ALL LEFT CONFIGURATIONS

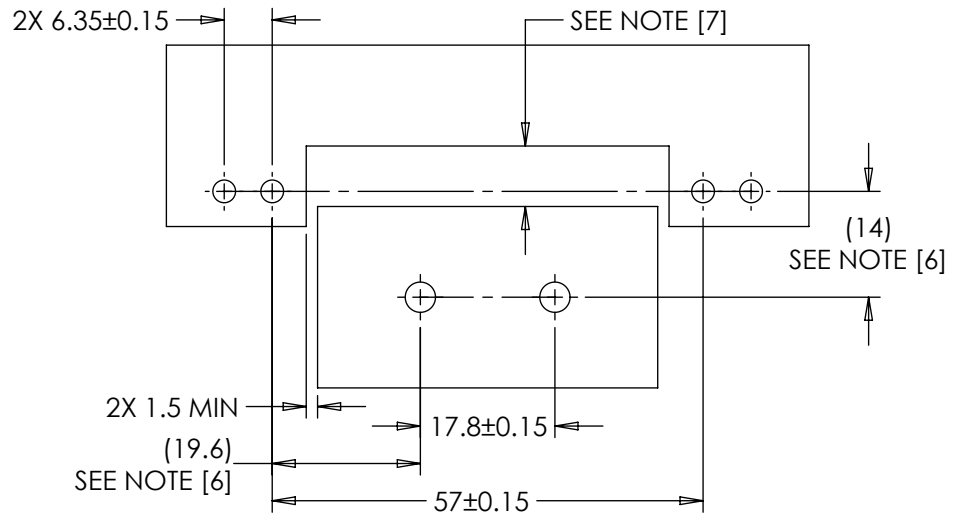


- MOUNTING CONFIGURATION NOTES:
- [6] USER WITH CRITICAL MOUNTING INTERFACES (I.E. LATCHES) SHOULD ALIGN PLATES TO ± 0.1 .
 - [7] USER TO DETERMINE MINIMUM DISTANCE BASED ON MOUNTING PLATE THICKNESSES AND DESIRED ANGLE OF ROTATION.
 - [8] USER MOUNTING CONFIGURATION TO ALLOW ± 0.5 TOLERANCE IN THE DEPTH DIRECTION FROM SHAFT END TO BRACKET IF APPLICABLE.
 - 9. MATING ASSEMBLIES SHOULD BE DESIGNED TO ALLOW 0.8 NOMINAL CLEARANCE AROUND ENTIRE ASSEMBLY.

MOUNTING CONFIGURATION FOR ALL RIGHT CONFIGURATIONS

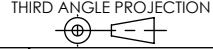


MOUNTING CONFIGURATION FOR ALL DUAL CONFIGURATIONS



SPECIFICATION SUBJECT TO CHANGE

INTERPRET PRINT PER ASME Y14.5M-1994
THIS PRINT IS THE CONFIDENTIAL PROPERTY OF REELL PRECISION MFG.



LEVEL	ECO - DESCRIPTION		DRAWN	DATE	APPROVED
DRAWN:	LIM	DATE: 7-3-01	REFERENCE:		
CHECKED:	TWJ	DATE: 8-30-01	TITLE:		
APPROVED:	TWJ	DATE: 8-30-01	SALES DRAWING		
REVISED:	5-5-20	DIMS: mm	PART NO: PHB		REV: N
REELL PRECISION MANUFACTURING 1259 WILLOW LAKE BOULEVARD SAINT PAUL, MINNESOTA 55110-5103, USA			SCALE: 1:1	DO NOT SCALE DRAWING	SHEET 4 OF 4