

CATALOG CODE PHC-X.XX-XX-XX

TORQUE Nm
0.00
0.44
0.78
1.22
1.57
2.01
2.35
2.79

MOUNTING TYPE
01 - THROUGH
02 - COUNTERSINK


FINISH
01 - PLAIN
02 - BLACK

DYNAMIC TORQUE	
NOMINAL (Nm)	TOLERANCE
0.00	-
0.44	±30%
0.78	±25%
1.22	±25%
1.57	±20%
2.01	±20%
2.35	±20%
2.79	±20%

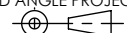
PRODUCT TORQUE SPECIFICATION AT +20 °C.

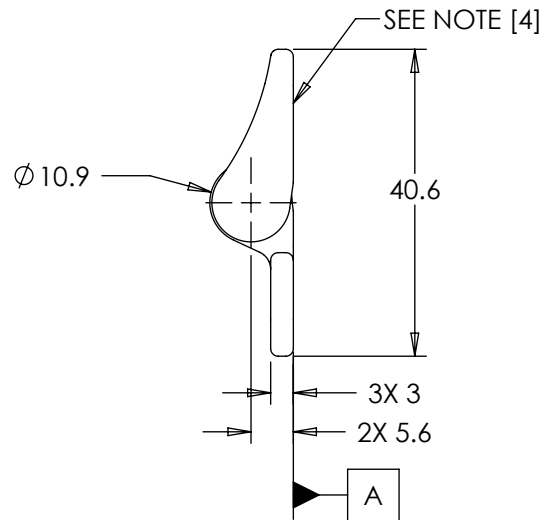
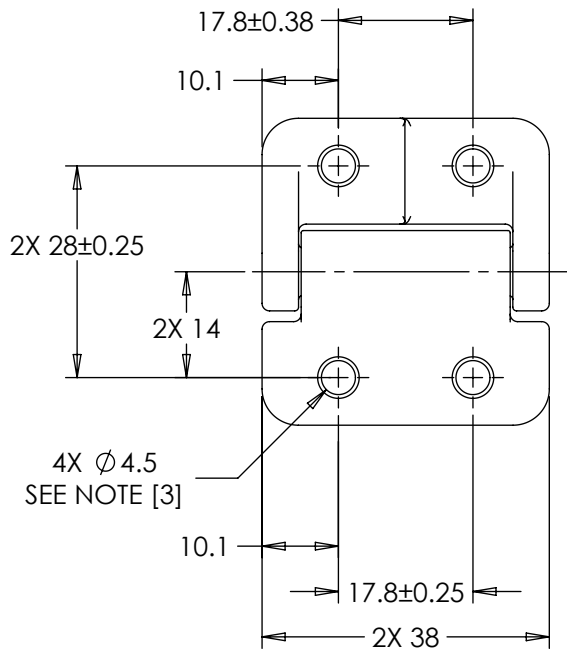
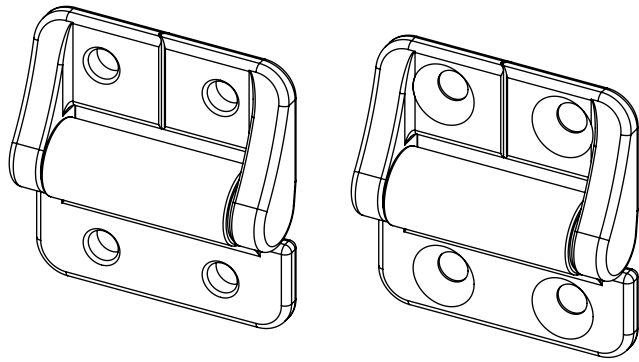
NOTES:

1. USER MUST DETERMINE FITNESS FOR USE IN APPLICATION.
2. LIFE: 50,000 CYCLES WHEN DUTY CYCLE IS LESS THAN 10% AND ROTATIONAL SPEED IS LESS THAN 100 RPM. 30 SECONDS MAXIMUM CONTINUOUS ACTUATION.
- [3] DESIGNED TO ACCEPT M4 OR #8 SCREW OR EQUIVALENT.
- [4] FLATS TO BE ORIENTED $\pm 5^\circ$ WITH RESPECT TO DATUM A AS SHOWN.
5. MATERIAL:
ZINC BRACKET AND
ZINC SHAFT END
HARDENED STEEL SHAFT
HARDENED STEEL TORQUE ELEMENTS

LEVEL	ECO - DESCRIPTION		DRAWN	DATE	APPROVED
DRAWN:	LIM	DATE: 7-3-01	REFERENCE:		
CHECKED:	TWJ	DATE: 8-30-01	TITLE:		
APPROVED:	TWJ	DATE: 8-30-01	SALES DRAWING		
REVISED:	05-26-20	DIMS: mm			
			PART NO:		REV:
			PHC		M
REELL PRECISION MANUFACTURING 1259 WILLOW LAKE BOULEVARD SAINT PAUL, MINNESOTA 55110-5103, USA		SCALE: 1:1	DO NOT SCALE DRAWING	SHEET 1 OF 2	

INTERPRET PRINT PER
ASME Y14.5M-1994
THIS PRINT IS THE
CONFIDENTIAL PROPERTY
OF REELL PRECISION MFG.
THIRD ANGLE PROJECTION





ALL DIMENSIONS REFERENCE
SEE CAD MODEL FOR UNSPECIFIED FEATURES.

*DIMENSIONS APPLY TO COUNTERSINK
AND STANDARD HOLE OPTIONS*

SPECIFICATIONS SUBJECT TO CHANGE

LEVEL	DESCRIPTION		DRAWN	DATE	APPROVED
DRAWN:	LIM	DATE: 7-3-01	REFERENCE:		
CHECKED:	TWJ	DATE: 8-30-01	TITLE:		
APPROVED:	TWJ	DATE: 8-30-01	SALES DRAWING		
REVISED:	05-26-20	DIMS: mm	PART NO: PHC		REV: M
REELL PRECISION MANUFACTURING 1259 WILLOW LAKE BOULEVARD SAINT PAUL, MINNESOTA 55110-5103, USA			SCALE: 1:1	DO NOT SCALE DRAWING	SHEET 2 OF 2

INTERPRET PRINT PER
ASME Y14.5M-1994
THIS PRINT IS THE
CONFIDENTIAL PROPERTY
OF REELL PRECISION MFG.
THIRD ANGLE PROJECTION

