

CATALOG CODE

SJ - 300 - X.XX - XX - XX


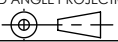
TORQUE Nm
 1.0A - ASYMMETRIC
 2.0A - ASYMMETRIC

SHAFT END
 01 - EXTERNAL M6
 02 - EXTERNAL 1/4-20

MOUNTING TYPE
 01 - FRONT COUNTERBORE
 02 - BACK HIDDEN

NOTES:

1. USER MUST DETERMINE FITNESS FOR USE IN APPLICATION.
2. DYNAMIC TORQUE AND PART NUMBERS SEE PAGES 2 AND 3.
3. ENVIRONMENTAL CONDITIONS: -20° TO +80°C. UP TO 10% OF LIFE CYCLES AT HOT AND COLD CONDITIONS.
4. LIFE CYCLE: 50,000 TOTAL ADJUSTMENTS. ONE ADJUSTMENT EQUALS MOVEMENT IN ANY DIRECTION UP TO FULL TRAVEL, OR 90° MAX WHEN DUTY CYCLE IS LESS THAN 10% AND SPEED IS LESS THAN 60 RPM.
5. PART MARKED WITH DATE (MOYR) AND TORQUE ORDER NUMBER.
 EXAMPLE: 0617
 1.0A
6. MATERIAL:
 COVER AND BASE: ENGINEERED PLASTIC
 SHAFT: NITRIDED STEEL
 BALL AND TORQUE ELEMENT: HARDENED STEEL
 LUBRICANT: MINERAL OIL BASED
7. SHAFT TO COVER ANGLE NOT CONTROLLED.
8. MAX BENDING MOMENT ON SHAFT = 13 Nm [115 LB-IN].

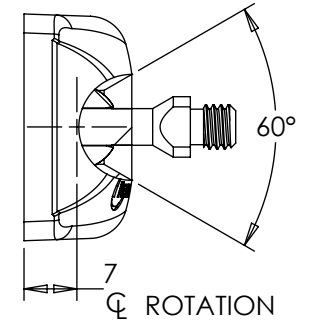
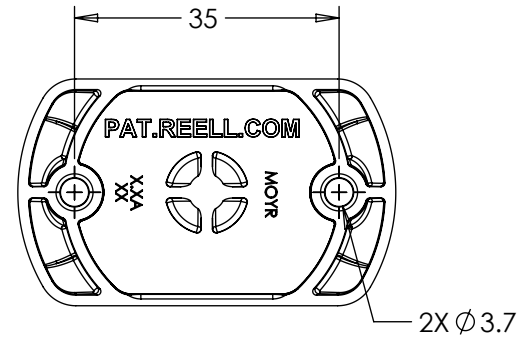
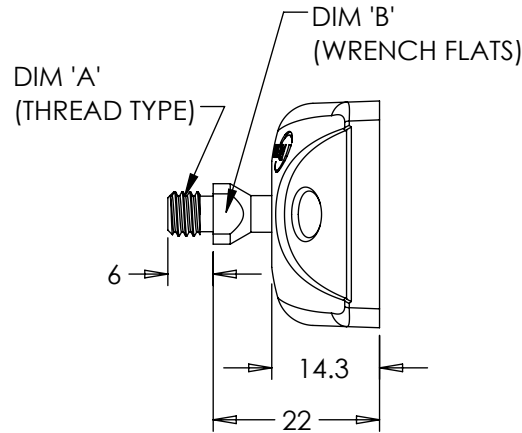
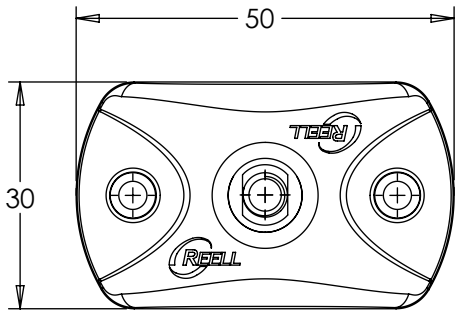
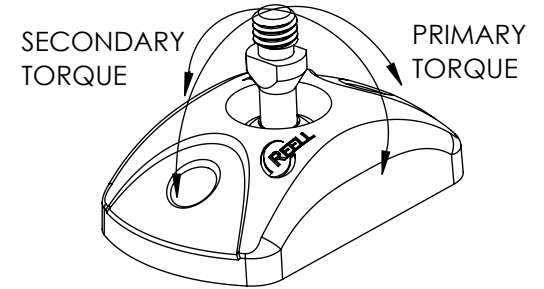
	ECO NO: 05925	PART LIFECYCLE: RELEASED	
	APPROVED BY: TYLER JACOBS	DEVELOPMENT CYCLE: PRODUCTION	
	APPROVED DATE: 28MAR23	DESCRIPTION:	
	PROJECT NO: 100723	SALES DRAWING	
REELL PRECISION MANUFACTURING 1259 WILLOW LAKE BOULEVARD SAINT PAUL, MINNESOTA 55110-5103, USA	ENGINEER: DERICK OFFOR	PART NO: SJ-300	
	DRAWN BY: DERICK OFFOR		
THIS PRINT IS THE CONFIDENTIAL PROPERTY OF REELL PRECISION MFG.	THIRD ANGLE PROJECTION 	SCALE: 1:1	DO NOT SCALE DRAWING
INTERPRET PRINT PER ASME Y14.5M-2009	DIMENSIONS: mm		SHEET 1 OF 3

SPECIFICATION SUBJECT TO CHANGE

CATALOG NUMBER	DYNAMIC TORQUE (Nm)			DIM 'A'	DIM 'B'
	PRIMARY	SECONDARY	ROTATIONAL		
SJ-300-1.0A-01-01	1.0 ± 0.3	0.6 ± 0.2	1.3 ± 0.4	M6 X 1 RH	6 mm
SJ-300-2.0A-01-01	2.0 ± 0.6	1.4 ± 0.4	2.6 ± 0.8	M6 X 1 RH	6 mm
SJ-300-1.0A-02-01	1.0 ± 0.3	0.6 ± 0.2	1.3 ± 0.4	1/4" - 20 RH	7/32"
SJ-300-2.0A-02-01	2.0 ± 0.6	1.4 ± 0.4	2.6 ± 0.8	1/4" - 20 RH	7/32"

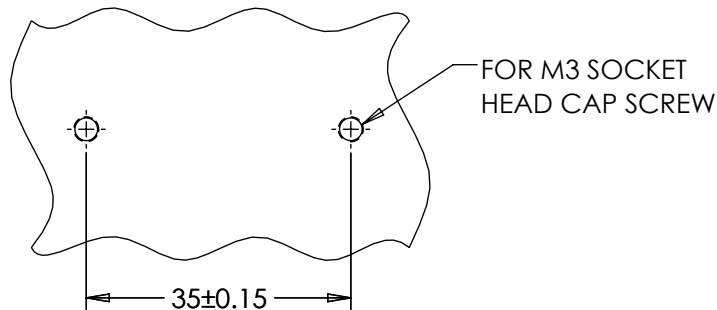
PRODUCT TORQUE SPECIFICATION AT +20°C.

SJ - 300 - X.XA - XX - 01 FRONT COUNTERBORE MOUNT



⌀ ROTATION
AXIS OF ROTATION DIMENSION FOR CUSTOMER MOUNTING AND CALCULATIONS ONLY.

CUSTOMER MOUNTING CONFIGURATION



SPECIFICATION SUBJECT TO CHANGE

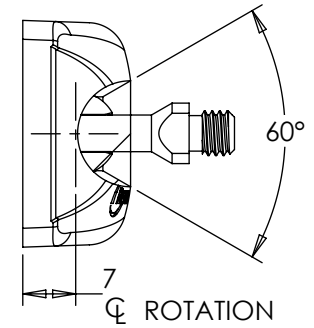
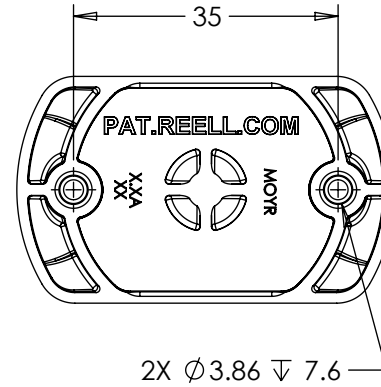
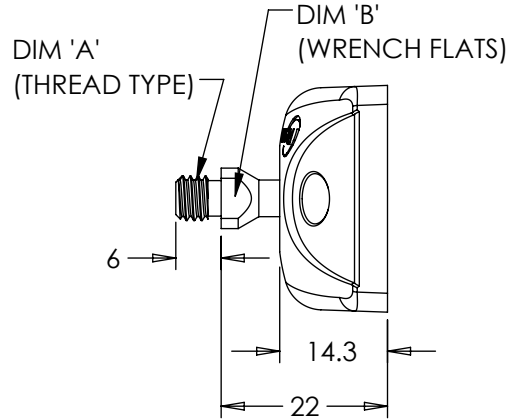
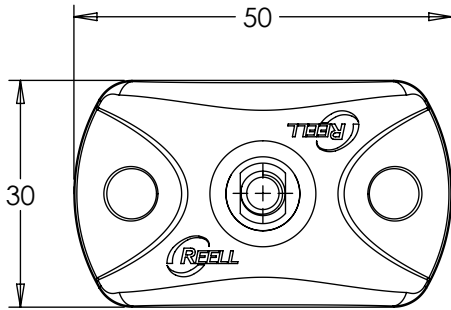
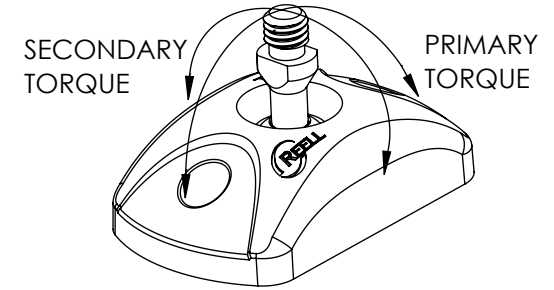
ALL DIMENSIONS REFERENCE
SEE CAD MODEL FOR UNSPECIFIED FEATURES

	ECO NO: 05925	PART LIFECYCLE: RELEASED
	APPROVED BY: TYLER JACOBS	DEVELOPMENT CYCLE: PRODUCTION
	APPROVED DATE: 28MAR23	DESCRIPTION:
	PROJECT NO: 100723	<h1>SALES DRAWING</h1>
ENGINEER: DERICK OFFOR	PART NO: SJ-300	
REELL PRECISION MANUFACTURING 1259 WILLOW LAKE BOULEVARD SAINT PAUL, MINNESOTA 55110-5103, USA	DRAWN BY: DERICK OFFOR	REV: D
THIS PRINT IS THE CONFIDENTIAL PROPERTY OF REELL PRECISION MFG.	THIRD ANGLE PROJECTION 	SCALE: 1:1
INTERPRET PRINT PER ASME Y14.5M-2009	DIMENSIONS: mm	DO NOT SCALE DRAWING

CATALOG NUMBER	DYNAMIC TORQUE (Nm)			DIM 'A'	DIM 'B'
	PRIMARY	SECONDARY	ROTATIONAL		
SJ-300-1.0A-01-02	1.0 ± 0.3	0.6 ± 0.2	1.3 ± 0.4	M6 X 1 RH	6 mm
SJ-300-2.0A-01-02	2.0 ± 0.6	1.4 ± 0.4	2.6 ± 0.8	M6 X 1 RH	6 mm
SJ-300-1.0A-02-02	1.0 ± 0.3	0.6 ± 0.2	1.3 ± 0.4	1/4" - 20 RH	7/32"
SJ-300-2.0A-02-02	2.0 ± 0.6	1.4 ± 0.4	2.6 ± 0.8	1/4" - 20 RH	7/32"

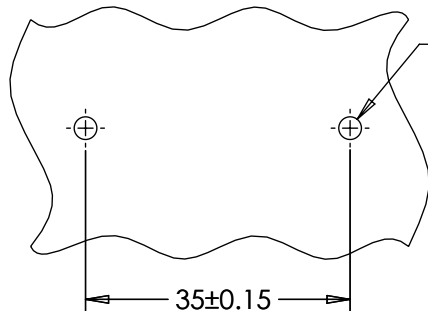
PRODUCT TORQUE SPECIFICATION AT +20 °C.

SJ - 300 - X.XA - XX - 02 BACK HIDDEN MOUNT



AXIS OF ROTATION DIMENSION FOR CUSTOMER MOUNTING AND CALCULATIONS ONLY.

CUSTOMER MOUNTING CONFIGURATION



CLEARANCE HOLES FOR M4.5 (OR ENGLISH EQUIVALENT) THREAD-FORMING SCREW DESIGNED FOR PLASTIC. MINIMUM RECOMMENDED ENGAGEMENT DEPTH 5.6 mm.

SPECIFICATION SUBJECT TO CHANGE

**ALL DIMENSIONS REFERENCE
SEE CAD MODEL FOR UNSPECIFIED FEATURES**

	ECO NO: 05925	PART LIFECYCLE: RELEASED
	APPROVED BY: TYLER JACOBS	DEVELOPMENT CYCLE: PRODUCTION
	APPROVED DATE: 28MAR23	DESCRIPTION:
	PROJECT NO: 100723	<h1>SALES DRAWING</h1>
ENGINEER: DERICK OFFOR		
REELL PRECISION MANUFACTURING 1259 WILLOW LAKE BOULEVARD SAINT PAUL, MINNESOTA 55110-5103, USA	DRAWN BY: DERICK OFFOR	PART NO: SJ-300
THIS PRINT IS THE CONFIDENTIAL PROPERTY OF REELL PRECISION MFG.	THIRD ANGLE PROJECTION 	REV: D
INTERPRET PRINT PER ASME Y14.5M-2009	DIMENSIONS: mm	SCALE: 1:1 DO NOT SCALE DRAWING