

CATALOG CODE

SJ - 300 - X.XX - XX - XX


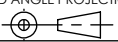
TORQUE Nm
 1.0A - ASYMMETRIC
 2.0A - ASYMMETRIC

SHAFT END
 01 - EXTERNAL M6
 02 - EXTERNAL 1/4-20

MOUNTING TYPE
 01 - COUNTERBORE

NOTES:

1. USER MUST DETERMINE FITNESS FOR USE IN APPLICATION.
2. DYNAMIC TORQUE AND PART NUMBERS SEE PAGE 2
3. ENVIRONMENTAL CONDITIONS: -20° TO +80°C. UP TO 10% OF LIFE CYCLES AT HOT AND COLD CONDITIONS.
4. LIFE CYCLE: 50,000 TOTAL ADJUSTMENTS. ONE ADJUSTMENT EQUALS MOVEMENT IN ANY DIRECTION UP TO FULL TRAVEL, OR 90° MAX WHEN DUTY CYCLE IS LESS THAN 10% AND SPEED IS LESS THAN 60 RPM.
5. PART MARKED WITH DATE (MOYR) AND TORQUE ORDER NUMBER.
 EXAMPLE: 0617
 1.0A
6. MATERIAL:
 COVER AND BASE: ENGINEERED PLASTIC
 SHAFT: NITRIDED STEEL
 BALL AND TORQUE ELEMENT: HARDENED STEEL
 LUBRICANT: MINERAL OIL BASED
7. SHAFT TO COVER ANGLE NOT CONTROLLED.
8. MAX BENDING MOMENT ON SHAFT = 13 Nm [115 LB-IN].

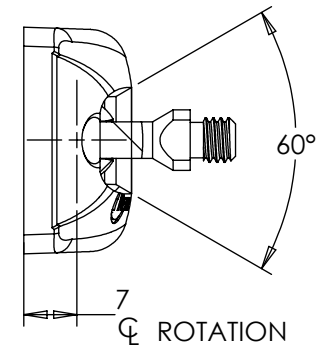
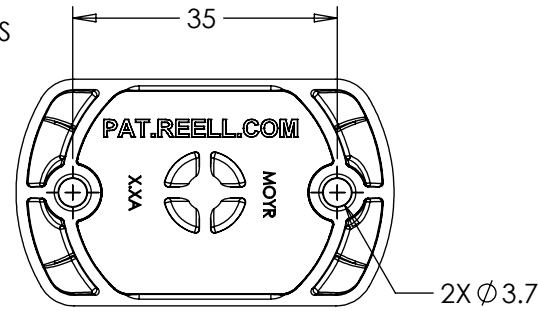
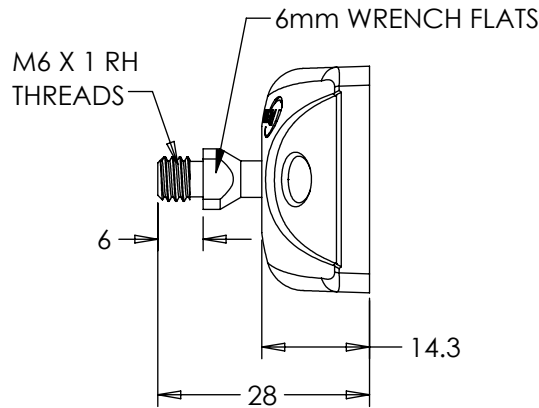
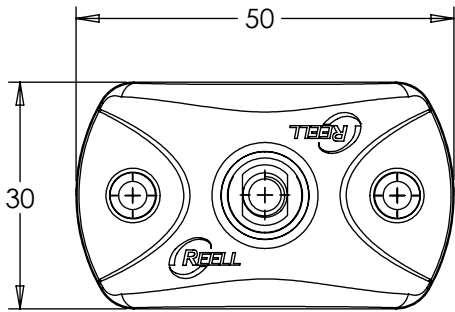
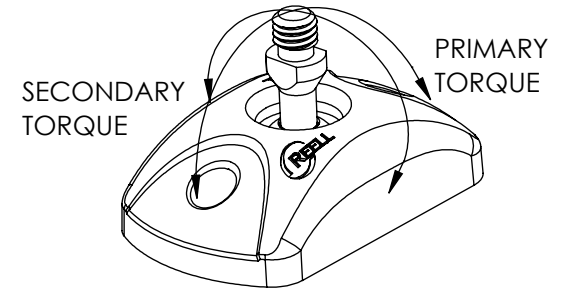
	ECO NO: 03538	PART LIFECYCLE: RELEASED		
	APPROVED BY: DERICK OFFOR	DEVELOPMENT CYCLE: PRE-PRODUCTION		
	APPROVED DATE: 31 MAR 21	SJ-300 SALES DRAWING		
	PROJECT NO: 0			
REELL PRECISION MANUFACTURING 1259 WILLOW LAKE BOULEVARD SAINT PAUL, MINNESOTA 55110-5103, USA	ENGINEER: DERICK OFFOR	PART NO: SJ - 300 REV: C		
THIS PRINT IS THE CONFIDENTIAL PROPERTY OF REELL PRECISION MFG.	DRAWN BY: DERICK OFFOR			
INTERPRET PRINT PER ASME Y14.5M-2009	THIRD ANGLE PROJECTION 	SCALE: 1:1	DO NOT SCALE DRAWING	SHEET 1 OF 3

SPECIFICATION SUBJECT TO CHANGE

CATALOG NUMBER	DYNAMIC TORQUE								
	PRIMARY TORQUE		PRIMARY TORQUE TOLERANCE	SECONDARY TORQUE		SECONDARY TORQUE TOLERANCE	ROTATIONAL TORQUE		ROTATIONAL TORQUE TOLERANCE
	Nm	[LB-IN]		Nm	[LB-IN]		Nm	[LB-IN]	
SJ-300-1.0A-01-01	1.0	8.8	±30%	0.6	5.3	±30%	1.3	11.5	±30%
SJ-300-2.0A-01-01	2.0	17.7	±30%	1.4	12.4	±30%	2.6	23.0	±30%

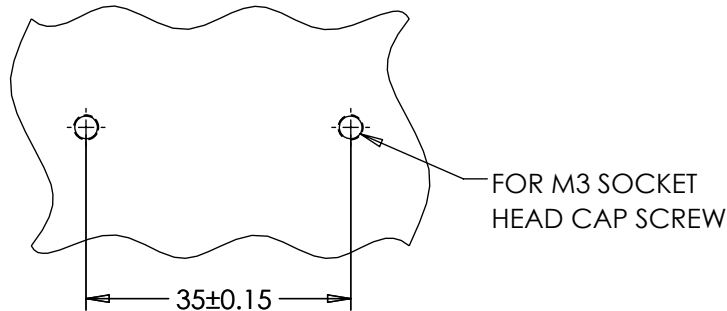
PRODUCT TORQUE SPECIFICATION AT +20°C.

SJ - 300 - X.XA -01 -01



AXIS OF ROTATION DIMENSION FOR CUSTOMER MOUNTING AND CALCULATIONS ONLY.

CUSTOMER MOUNTING CONFIGURATION



SPECIFICATION SUBJECT TO CHANGE

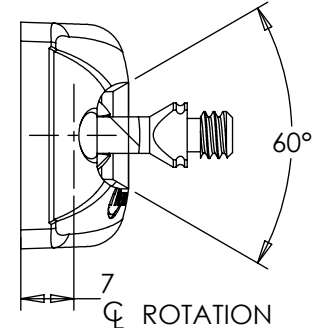
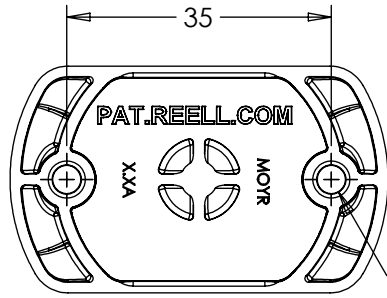
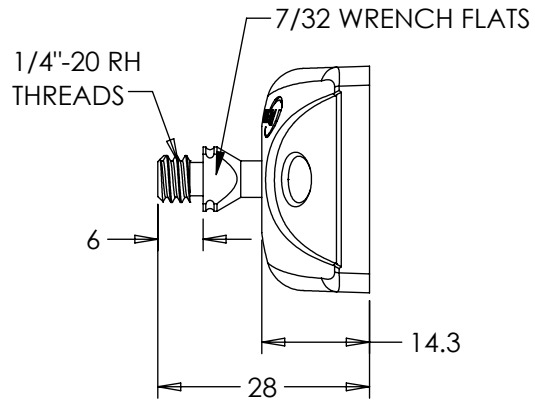
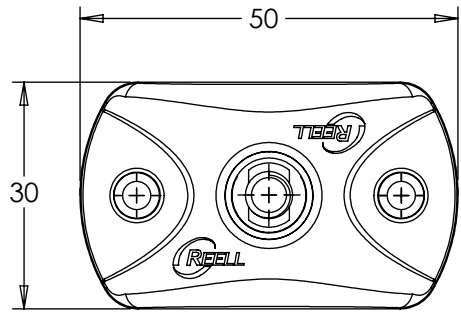
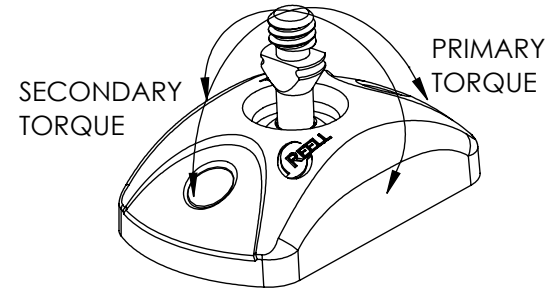
ALL DIMENSIONS REFERENCE SEE CAD MODEL FOR UNSPECIFIED FEATURES

	ECO NO: 03538	PART LIFECYCLE: RELEASED
	APPROVED BY: DERICK OFFOR	DEVELOPMENT CYCLE: PRE-PRODUCTION
	APPROVED DATE: 31 MAR 21	DESCRIPTION:
	PROJECT NO: 0	<h2>SJ-300 SALES DRAWING</h2>
ENGINEER: DERICK OFFOR		
REELL PRECISION MANUFACTURING 1259 WILLOW LAKE BOULEVARD SAINT PAUL, MINNESOTA 55110-5103, USA	DRAWN BY: DERICK OFFOR	PART NO: SJ - 300
THIS PRINT IS THE CONFIDENTIAL PROPERTY OF REELL PRECISION MFG.	THIRD ANGLE PROJECTION 	REV: C
INTERPRET PRINT PER ASME Y14.5M-2009	DIMENSIONS: mm	SCALE: 1:1 DO NOT SCALE DRAWING SHEET 2 OF 3

CATALOG NUMBER	DYNAMIC TORQUE								
	PRIMARY TORQUE		PRIMARY TORQUE TOLERANCE	SECONDARY TORQUE		SECONDARY TORQUE TOLERANCE	ROTATIONAL TORQUE		ROTATIONAL TORQUE TOLERANCE
	Nm	[LB-IN]		Nm	[LB-IN]		Nm	[LB-IN]	
SJ-300-1.0A-02-01	1.0	8.8	±30%	0.6	5.3	±30%	1.3	11.5	±30%
SJ-300-2.0A-02-01	2.0	17.7	±30%	1.4	12.4	±30%	2.6	23.0	±30%

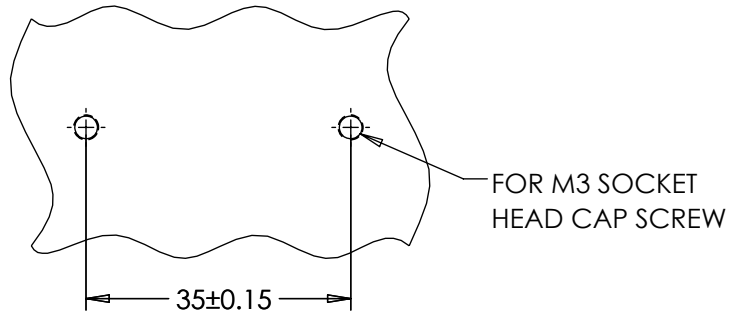
PRODUCT TORQUE SPECIFICATION AT +20°C.

SJ - 300 - X.XA -02 -01



AXIS OF ROTATION DIMENSION FOR CUSTOMER MOUNTING AND CALCULATIONS ONLY.

CUSTOMER MOUNTING CONFIGURATION



SPECIFICATION SUBJECT TO CHANGE

ALL DIMENSIONS REFERENCE SEE CAD MODEL FOR UNSPECIFIED FEATURES

	ECO NO: 03538	PART LIFECYCLE: RELEASED	
	APPROVED BY: DERICK OFFOR	DEVELOPMENT CYCLE: PRE-PRODUCTION	
	APPROVED DATE: 31 MAR 21	DESCRIPTION:	
	PROJECT NO: 0	<h2>SJ-300 SALES DRAWING</h2>	
REELL PRECISION MANUFACTURING 1259 WILLOW LAKE BOULEVARD SAINT PAUL, MINNESOTA 55110-5103, USA	ENGINEER: DERICK OFFOR	PART NO: SJ - 300	
THIS PRINT IS THE CONFIDENTIAL PROPERTY OF REELL PRECISION MFG.	DRAWN BY: DERICK OFFOR		REV: C
INTERPRET PRINT PER ASME Y14.5M-2009	THIRD ANGLE PROJECTION 	SCALE: 1:1	DO NOT SCALE DRAWING
	DIMENSIONS: mm		SHEET 3 OF 3